

# Joining Instructions (Vertical and Horizontal Join)

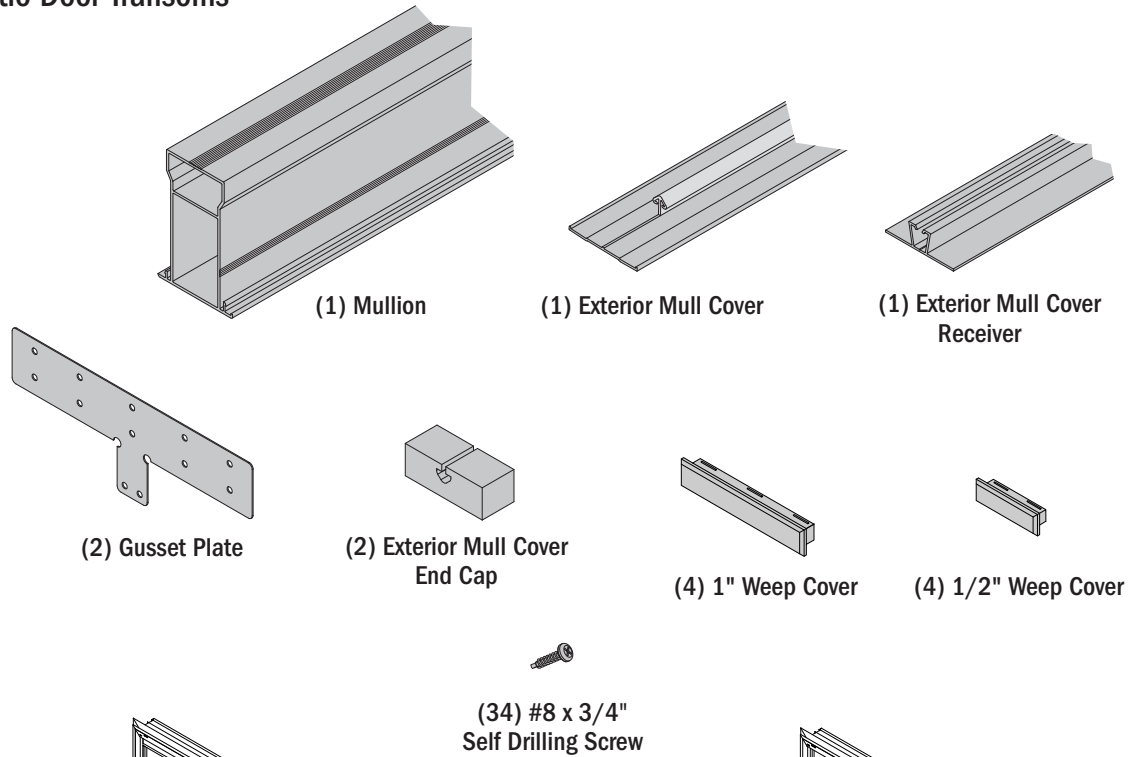


**Product Series:** V3 Series

**Product Type:** Patio Doors, Patio Door Sidelights,  
and Patio Door Transoms

Read these instructions and the Product Safety Information before starting procedure.

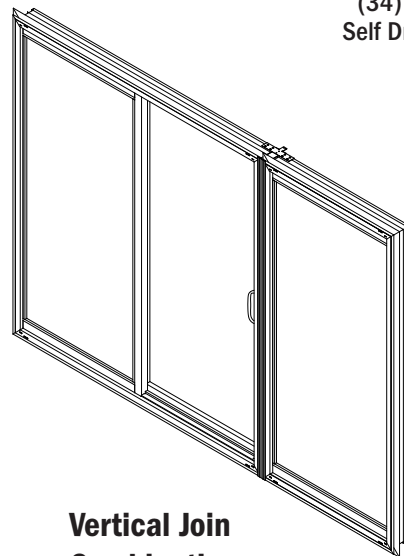
## Parts Included:



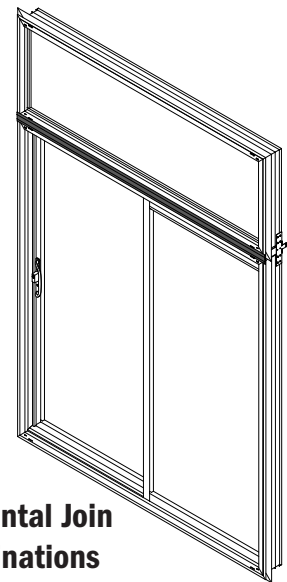
## Tools Needed:

- Safety Glasses
- Drill/Driver
- Rubber Mallet
- Caulk Gun
- Utility Knife
- Tin Snips
- Clamps

*Vertical join shown in guide.  
Horizontal join procedure is similar.*



**Vertical Join  
Combinations**



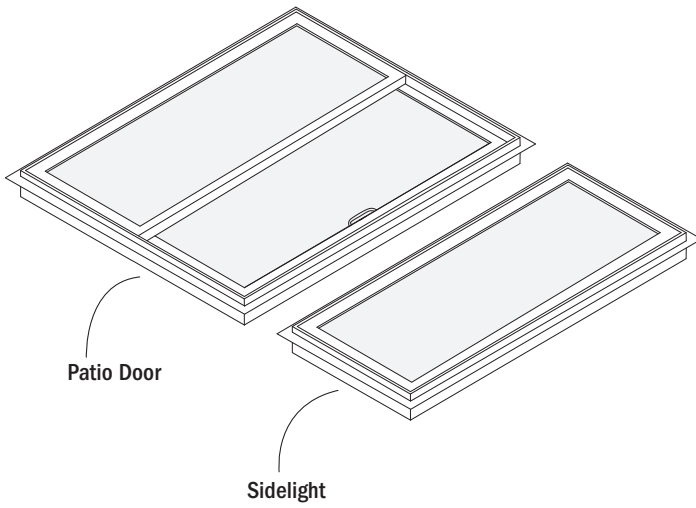
**Horizontal Join  
Combinations**

## NOTICE

Read and follow the window or door's individual installation instructions for their specific opening preparation, shimming, fastening, flashing, and sealing requirements. Failure to do so could result in product or property damage and could affect operation and product performance.

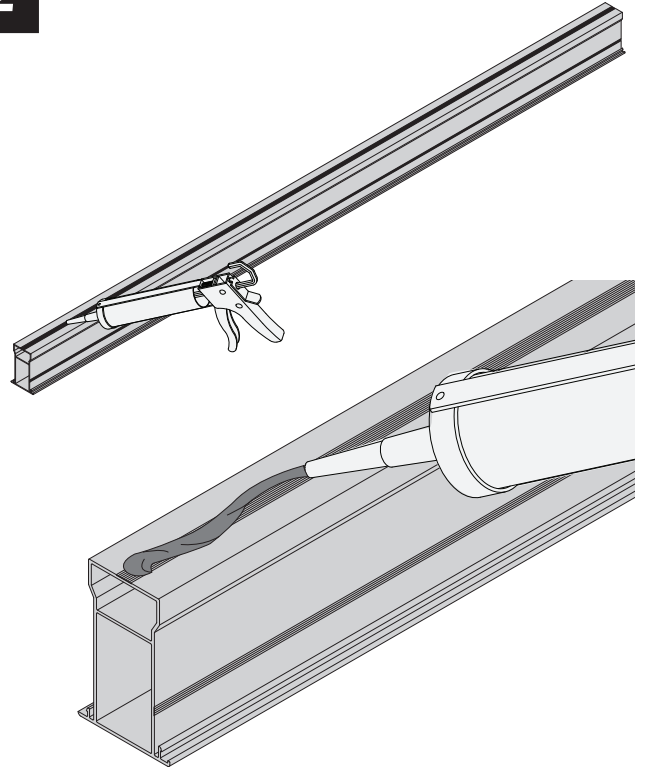
*Please leave this document with building owner.*

1



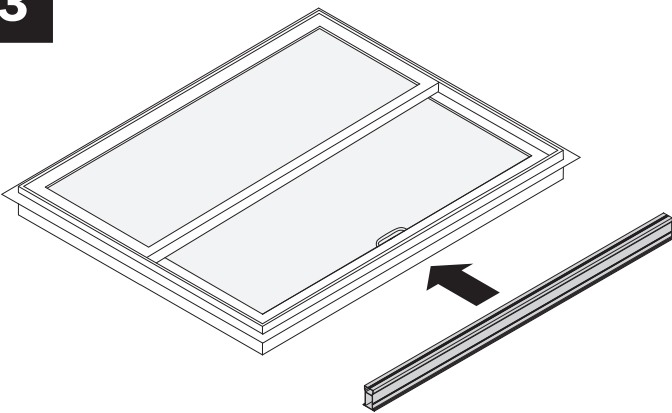
Place patio door and sidelight, exterior side up, on a clean work surface.

2



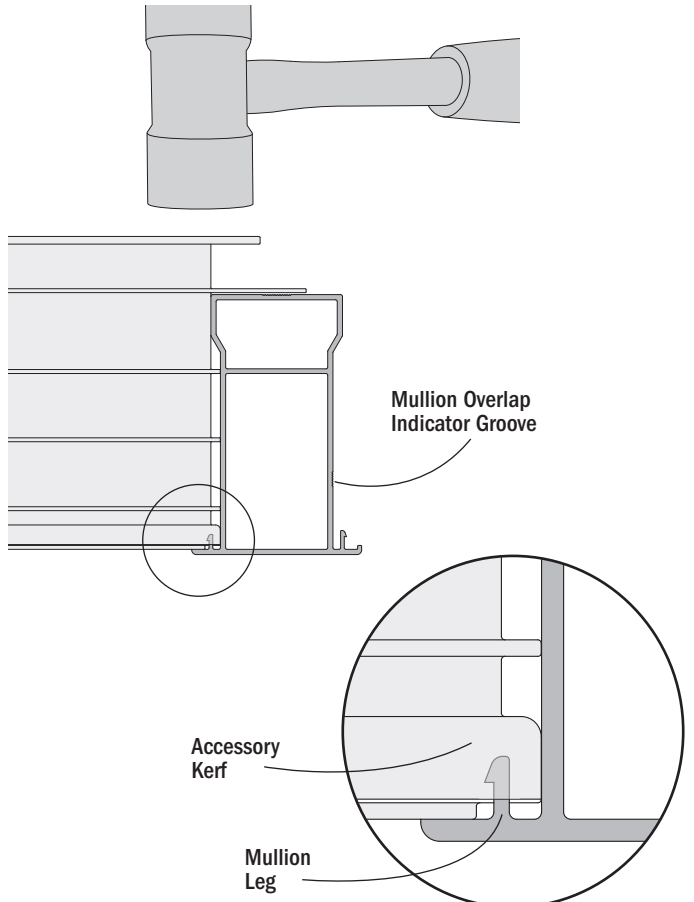
Apply 1/4" sealant bead to center groove on mullion.

3

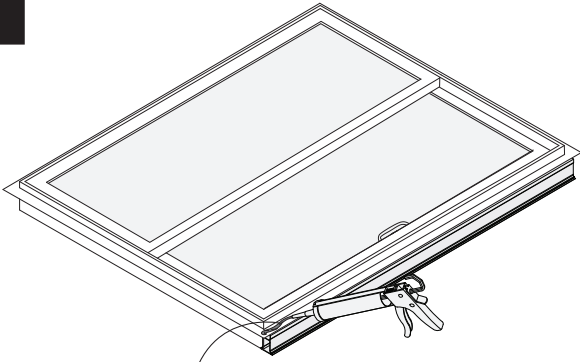


Lift the side of the patio door that will be joined slightly and place the mullion leg against the accessory kerf on the interior facing side of the side jamb. Align the mullion with the edge of the head jamb and sill and set full length using a rubber mallet.

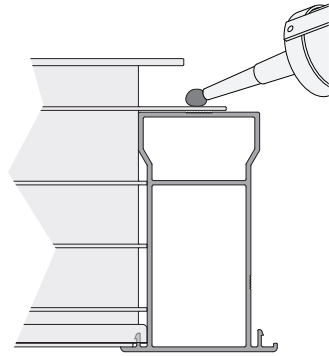
Make sure the mullion overlap indicator groove is located on the side of the mullion away from the patio door.



4

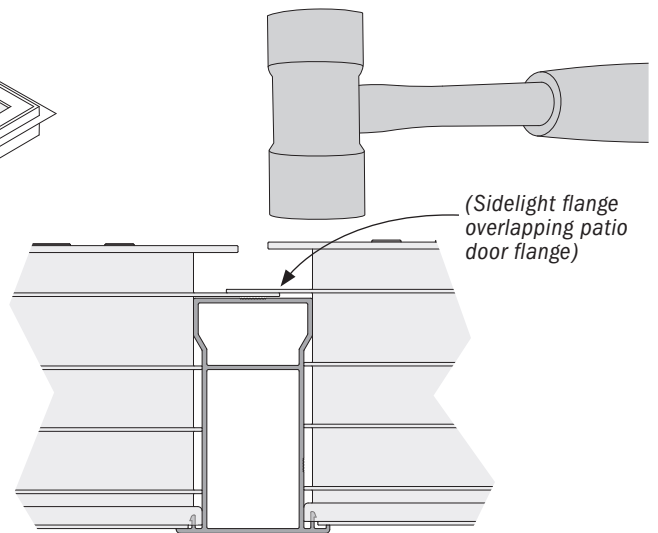
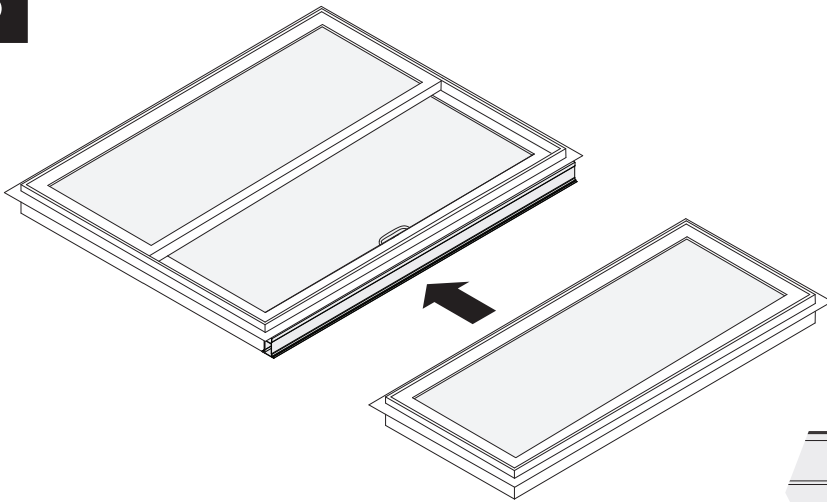


Exterior surface of nailing flange.



Apply 1/4" sealant bead to exterior surface of nailing flange on side to be joined.

5



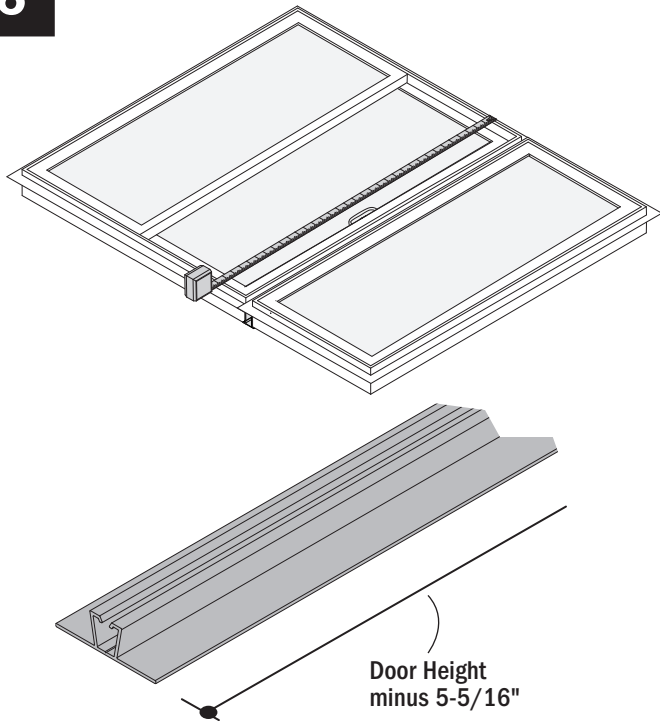
(Sidelight flange overlapping patio door flange)

Patio Door

Sidelight

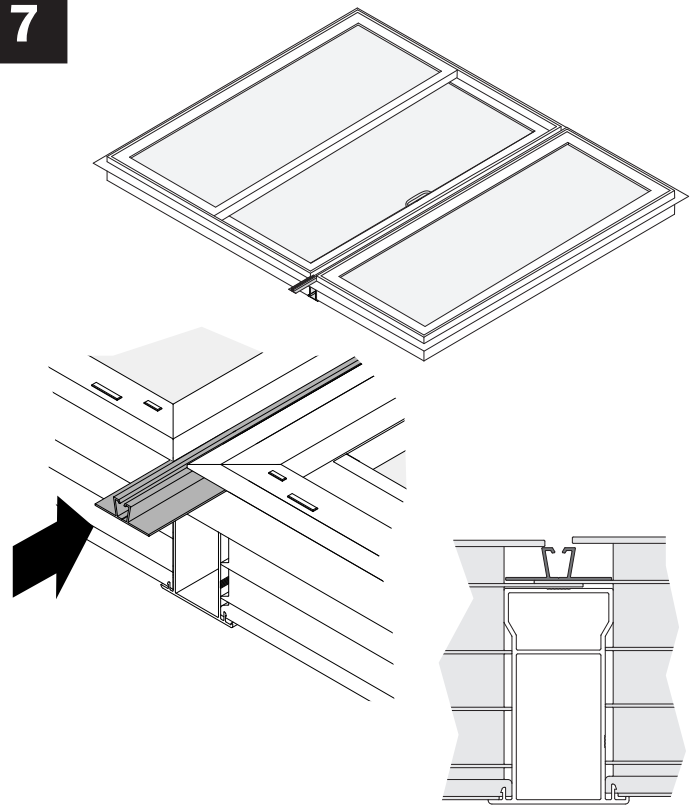
Place interior accessory kerf from the side of the sidelight unit against the leg of the mullion. Align head and sill of sidelight with the head and sill of patio door and set the sidelight on the mullion full length using a rubber mallet. The nailing flange of the sidelight must overlap the nailing flange of the patio door to the exterior.

6



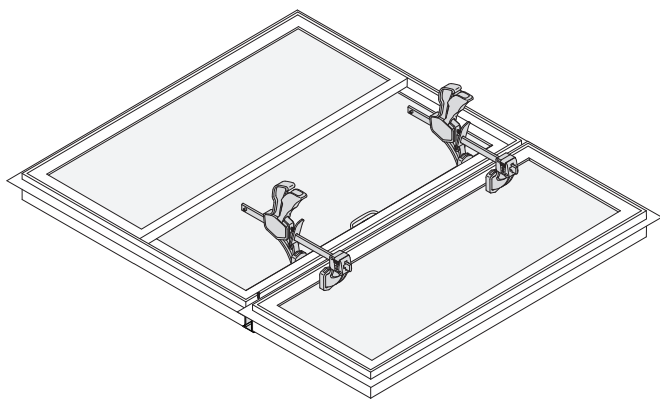
Make sure exterior mull cover receiver is 5-5/16" shorter than patio door height. Trim exterior mull cover receiver as needed.

7



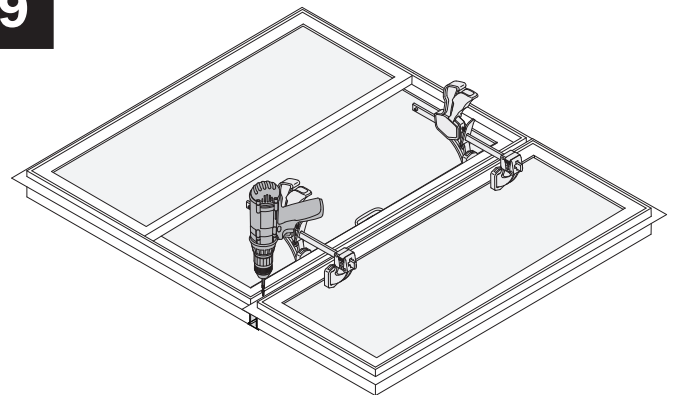
Slide and center exterior mull receiver between head and sill jambs of the joined units.

8



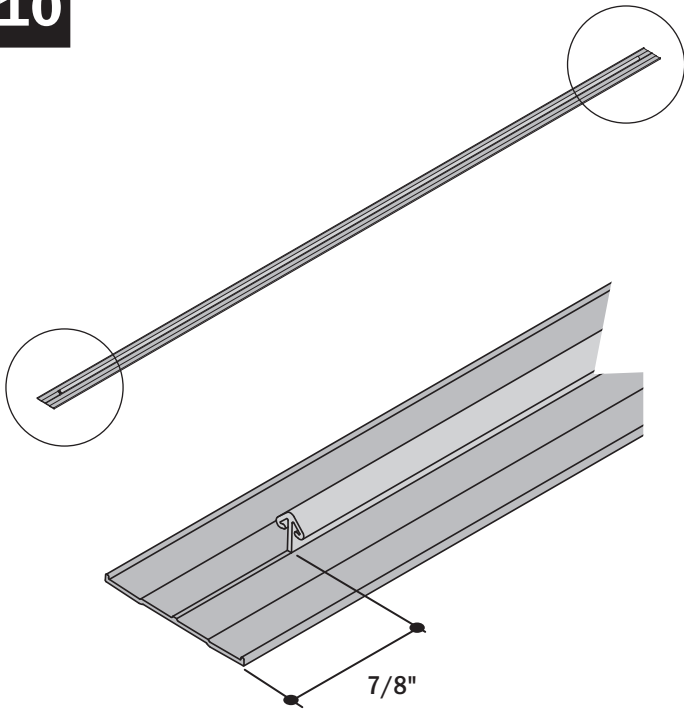
Clamp patio door jamb and sidelight side jamb together from the exterior.

9

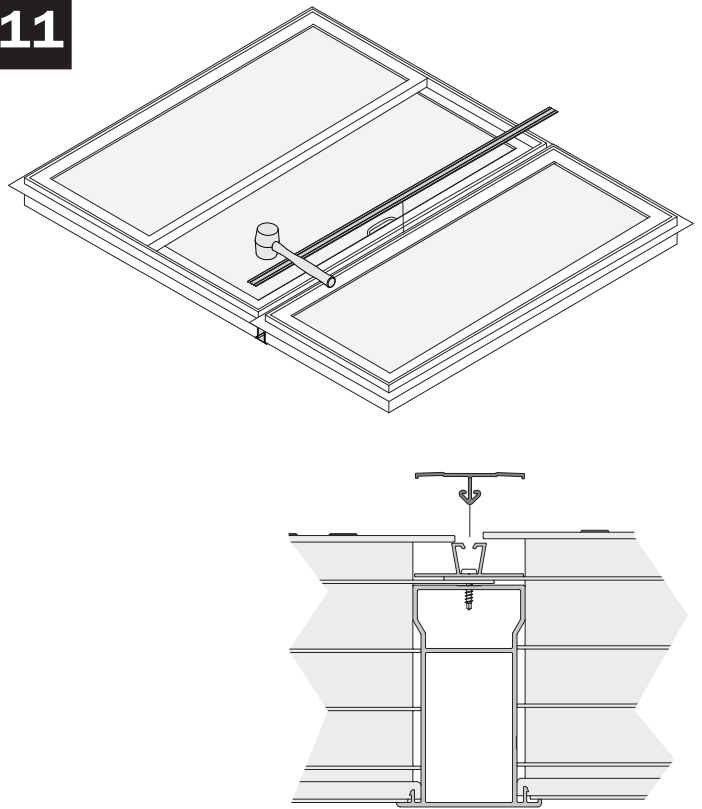


#8 x 3/4" Self Drilling Screws

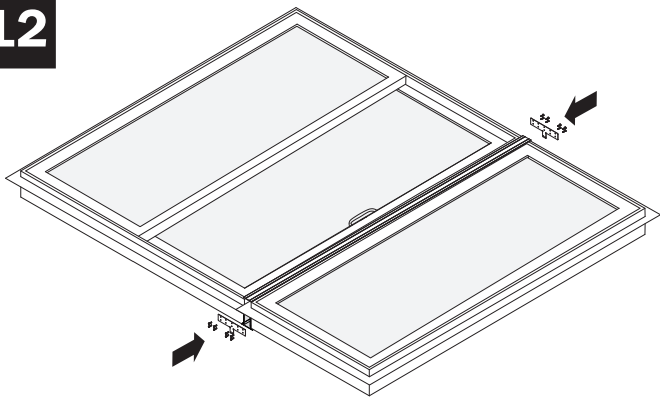
Attach the exterior mull cover receiver through each hole using #8 x 3/4" self drilling screws.

**10**

Make sure the leg of the exterior mull cover is cut back 7/8" on both ends.

**11**

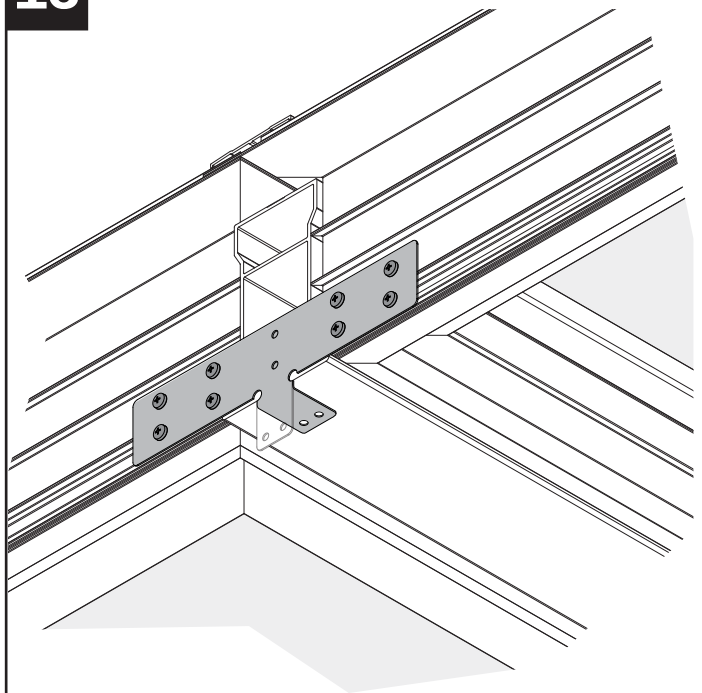
Remove clamps. Tap exterior mull cover into exterior mull cover receiver using a rubber mallet.

**12**

#8 x 3/4" Self Drilling Screws

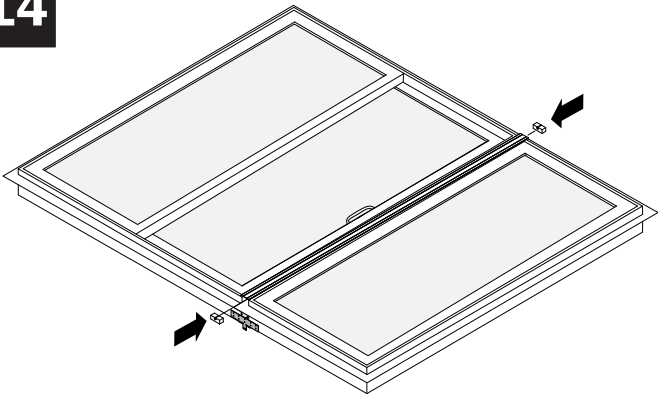
(Flush with interior edge of frames)

Make sure gusset plate edge is flush with the interior edge of the patio door and sidelight frames. Apply gusset plates and fasten using #8 x 3/4" self drilling screws.

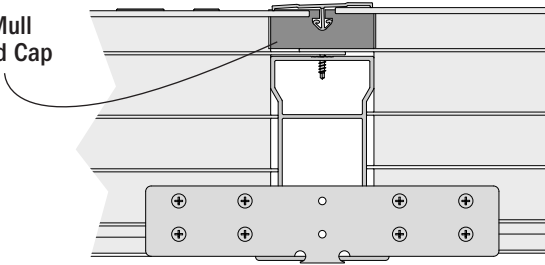
**13**

Bend gusset plate tabs inward. Tabs will be bent out and fastened to rough opening during installation.

14

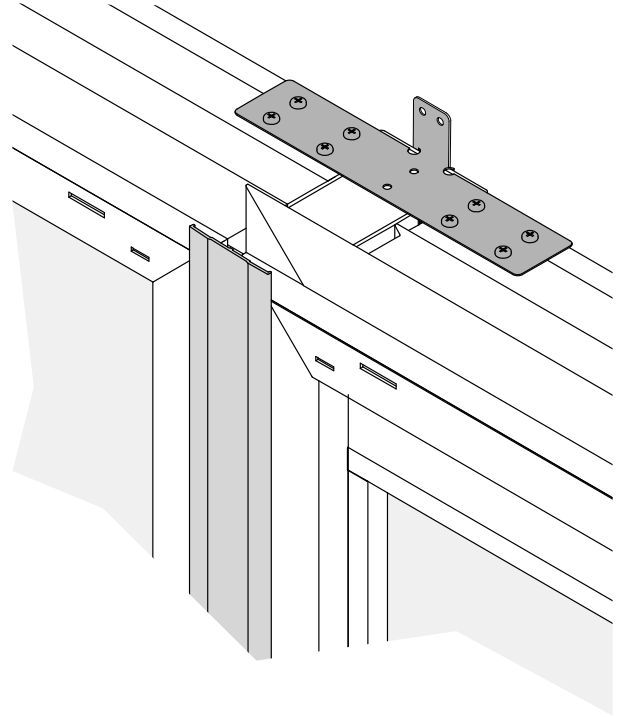


Exterior Mull Cover End Cap



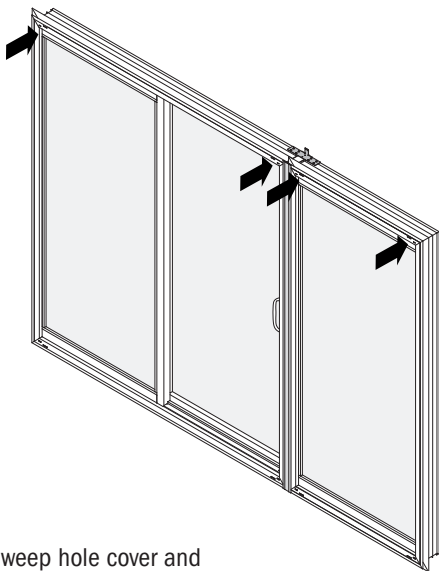
Insert exterior mull cover end cap until it is flush with the frame. Repeat at the other side of join.

15



During installation, the tab of the gusset plate will be bent back and attached to the rough opening.

16



Insert one small weep hole cover and one large weep hole cover by pressing into pre-punched weep hole cover slots on the head of the exterior of the patio door frame. Repeat for other side.

Repeat for joined unit.

► Joining is complete. Joined combination is ready for installation.

