

# Window Opening Control Device (WOCD)

## Product Safety Information Sheet

For Factory Installed WOCD on Single-Hung and Double-Hung Windows

For questions call 1-844-332-8288 Monday - Friday, 8 a.m. to 5 p.m. Eastern Standard Time (EST).  
**Please leave this guide with building owner.**

### ⚠ WARNING

Contains small parts. If swallowed could pose a choking hazard to young children. Remove and dispose of any loose or easily removed parts.

### ⚠ WARNING

This window opening control is not a security device that provides intrusion protection.

### NOTICE

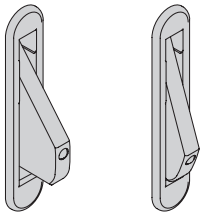
Important safety information. Leave this information for the building occupant.

## To Fully Open the Window

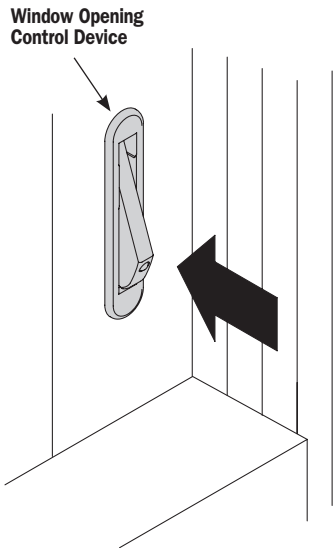
### Step 1

#### Disengage the devices.

Disengage the (2) Window Opening Control Devices by pushing in until they are fully retracted and disengaged.



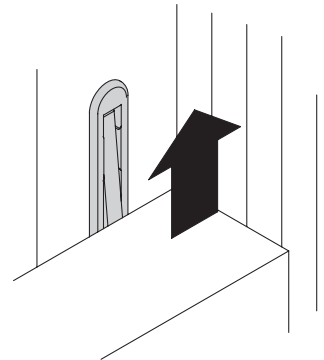
ENGAGED    DISENGAGED



### Step 2

#### Open the window.

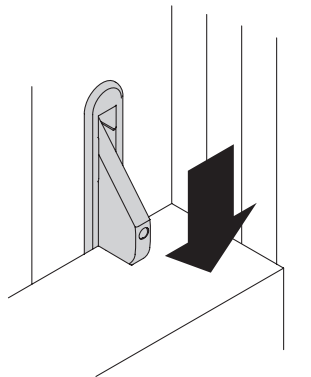
Raise the bottom sash past the Window Opening Control Devices to fully open the window.



### Step 3

#### Reset the devices.

The Window Opening Control Devices automatically reset when the sash is closed. Close the sash then check to ensure the devices are engaged by lifting the sash. The window should not open more than 4".

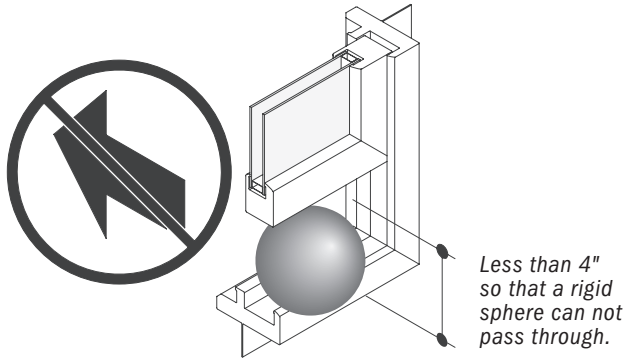


**If a Window Opening Control Device does not reset when the window is closed, call for assistance at: 1-844-332-8288.**

## ⚠ WARNING

### Possible Fall Hazard

- Window Opening Control Device is designed to protect against accidental window falls by children five years and younger.
- Window Opening Control Device is not a substitute for careful supervision of all young children.
- Keep Window Opening Control Device engaged unless needed for use in an emergency.



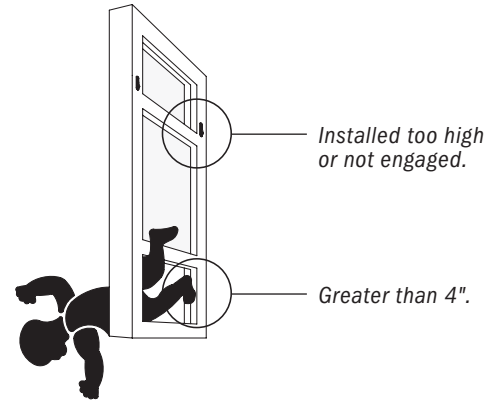
## ⚠ WARNING

### Young children may fall out of the window if all instructions are not followed:

- Make sure the Window Opening Control Device is securely attached to the window sash as directed.
- Make sure that the window frame is in good condition.

### No Window Rescue Above 75 Feet (6th Floor)

- Fire rescue ladder may not reach beyond 75 feet (6th floor).
- Do not rely on being rescued from windows above 75 feet (6th floor). Follow building escape plan.



## ⚠ WARNING

### Blocks Escape in Fire and Emergency Unless Released

- Follow instructions on reverse side to properly operate the Window Opening Control Device to open window.
- Never apply padlocks or devices that require a key or tool to unlock them to the Window Opening Control Device.



## Window Opening Control Device (WOCD) Product Safety Information Sheet

Important information included in this packet. Leave this information for the building occupant. DO NOT throw away.