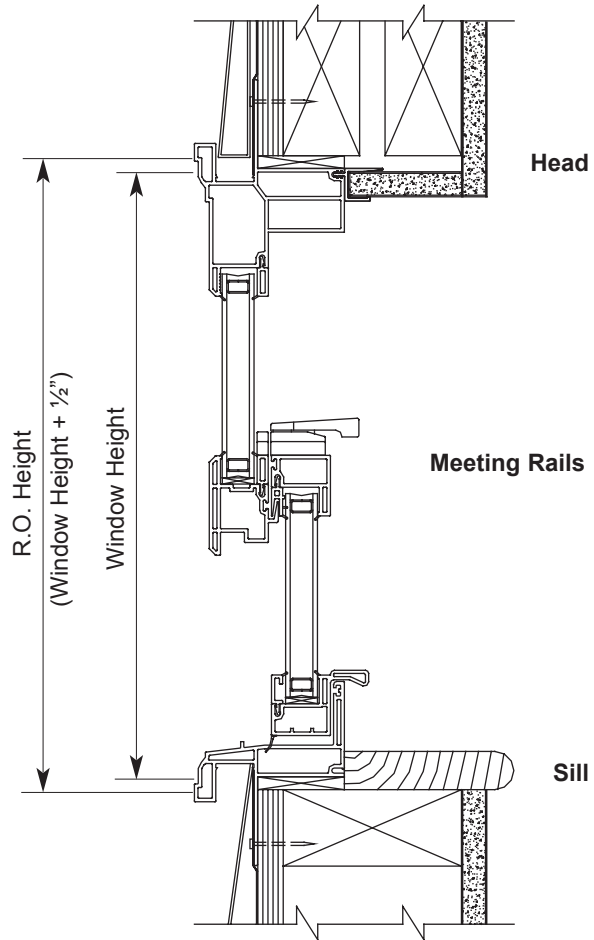
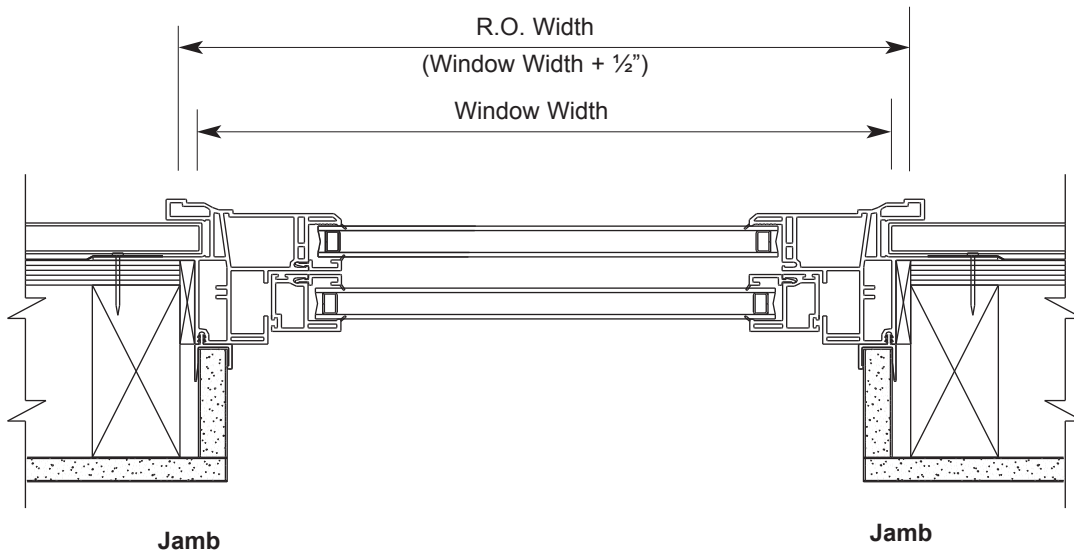


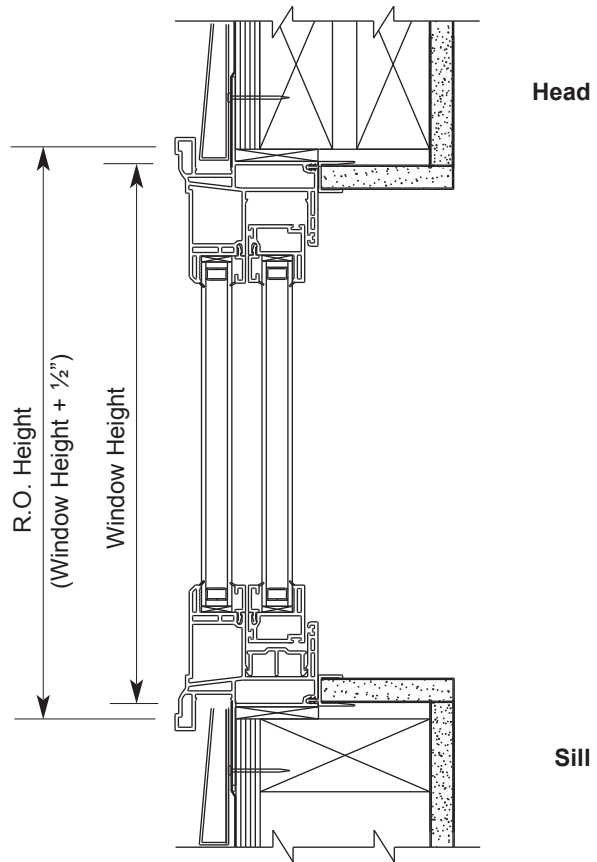
**Vertical Section**  
2 x 4 Frame Construction  
w/ Exterior Siding  
Scale: 3" = 1'0" (1:4)



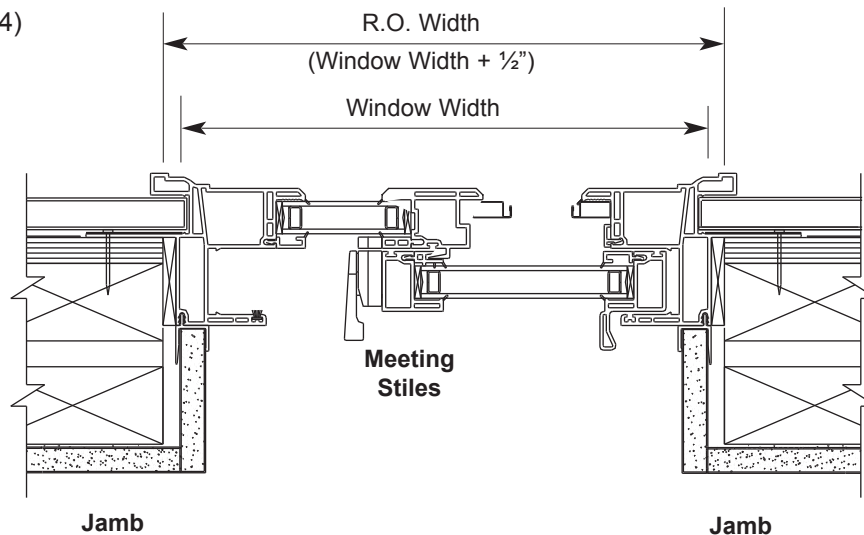
**Horizontal Section**  
2 x 4 Frame Construction  
w/ Exterior Siding  
Scale: 3" = 1'0" (1:4)



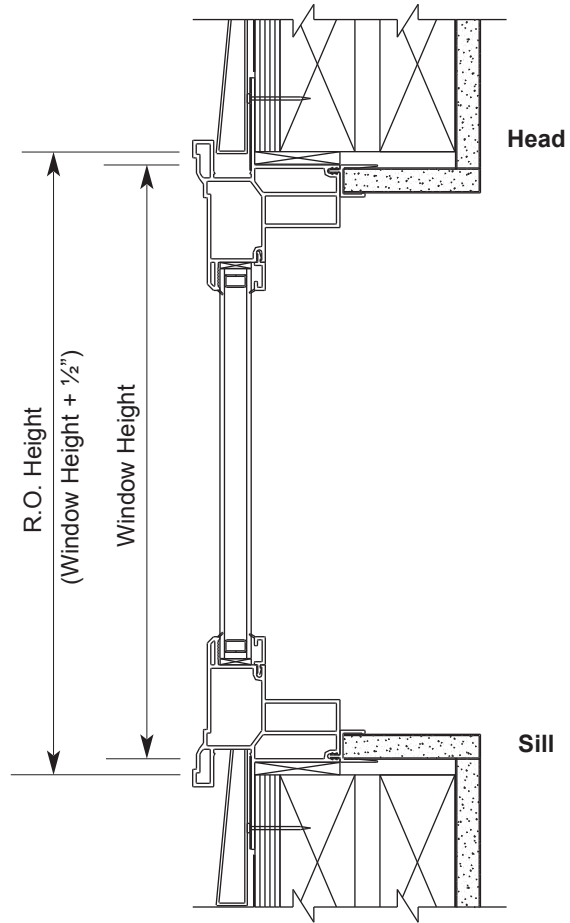
**Vertical Section**  
2 x 4 Frame Construction  
w/ Exterior Siding  
Scale: 3" = 1'0" (1:4)



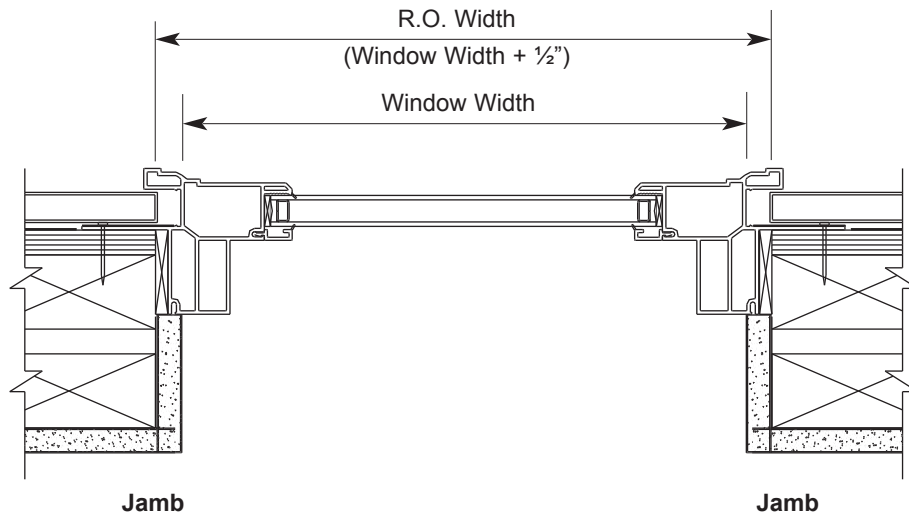
**Horizontal Section**  
2 x 4 Frame Construction  
w/ Exterior Siding  
Scale: 3" = 1'0" (1:4)



**Vertical Section**  
 2 x 4 Frame Construction  
 w/ Exterior Siding  
 Scale: 3" = 1'0" (1:4)



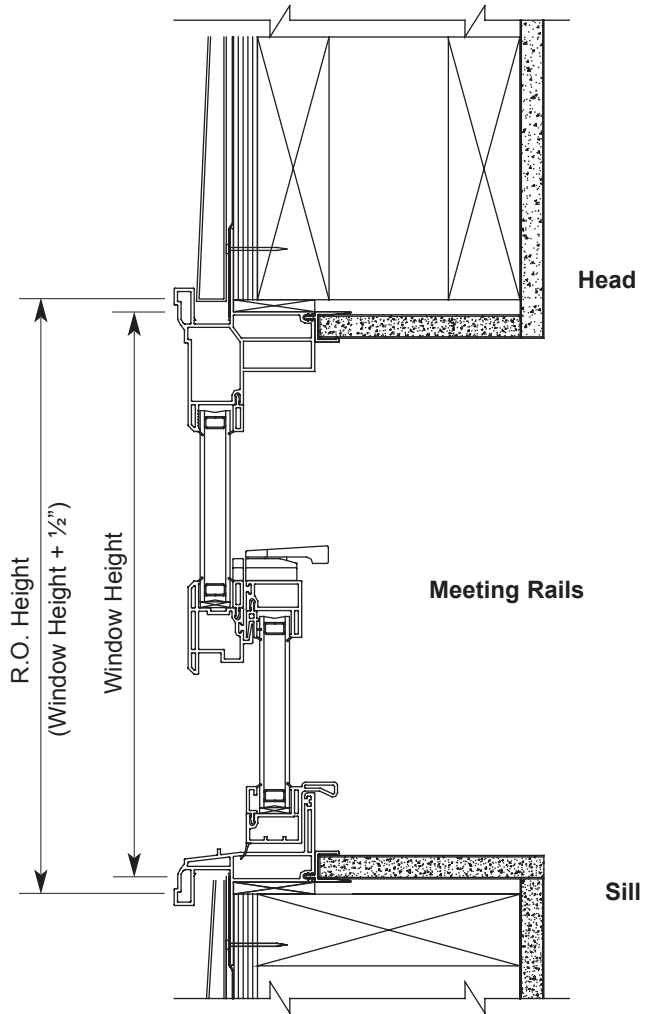
**Horizontal Section**  
 2 x 4 Frame Construction  
 w/ Exterior Siding  
 Scale: 3" = 1'0" (1:4)



**Vertical Section**

2 x 6 Frame Construction  
 w/ Exterior Siding

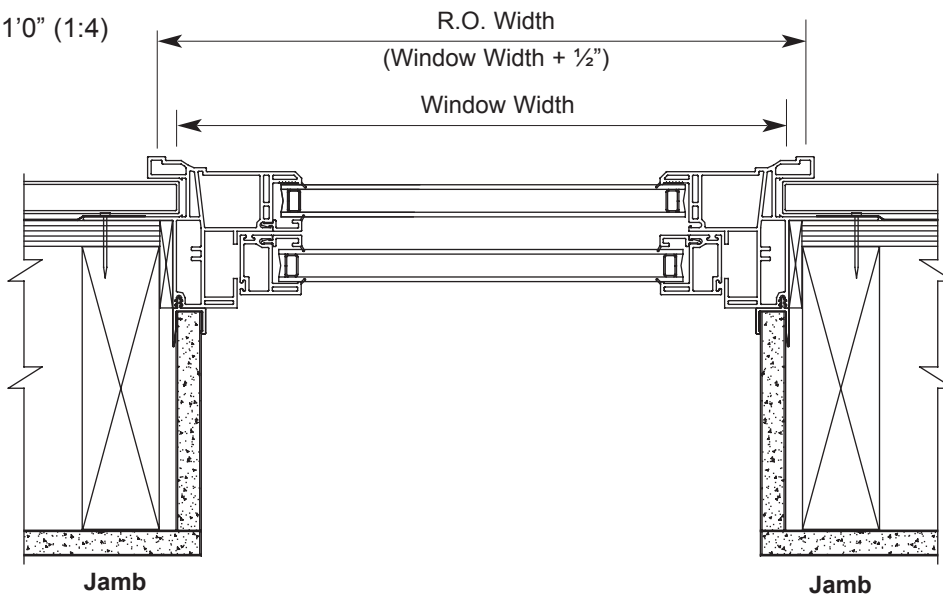
Scale: 3" = 1'0" (1:4)



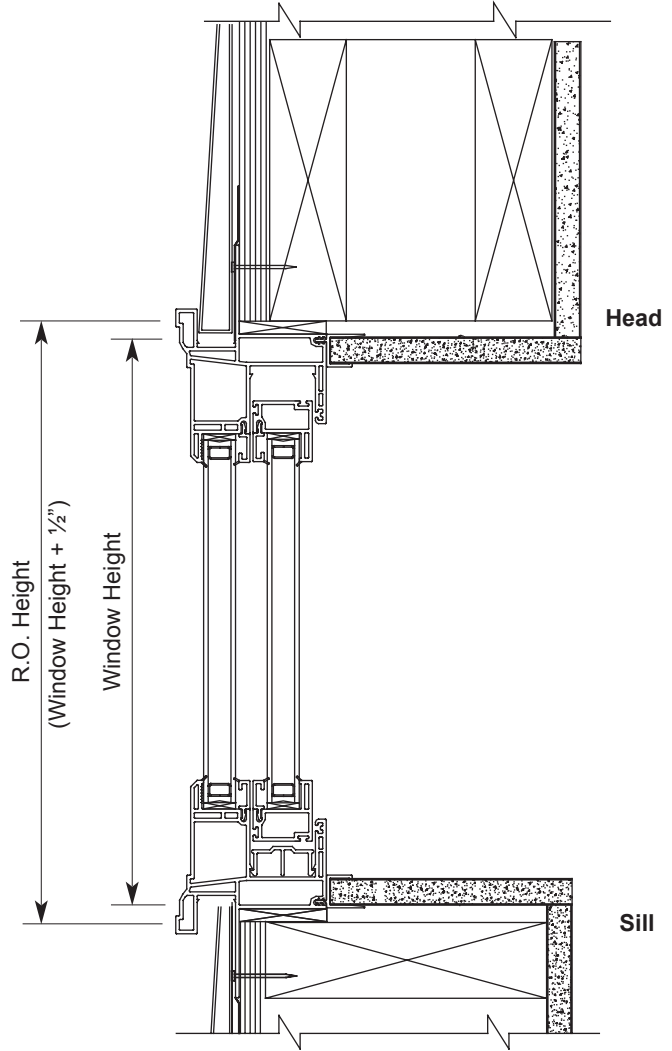
**Horizontal Section**

2 x 6 Frame Construction  
 w/ Exterior Siding

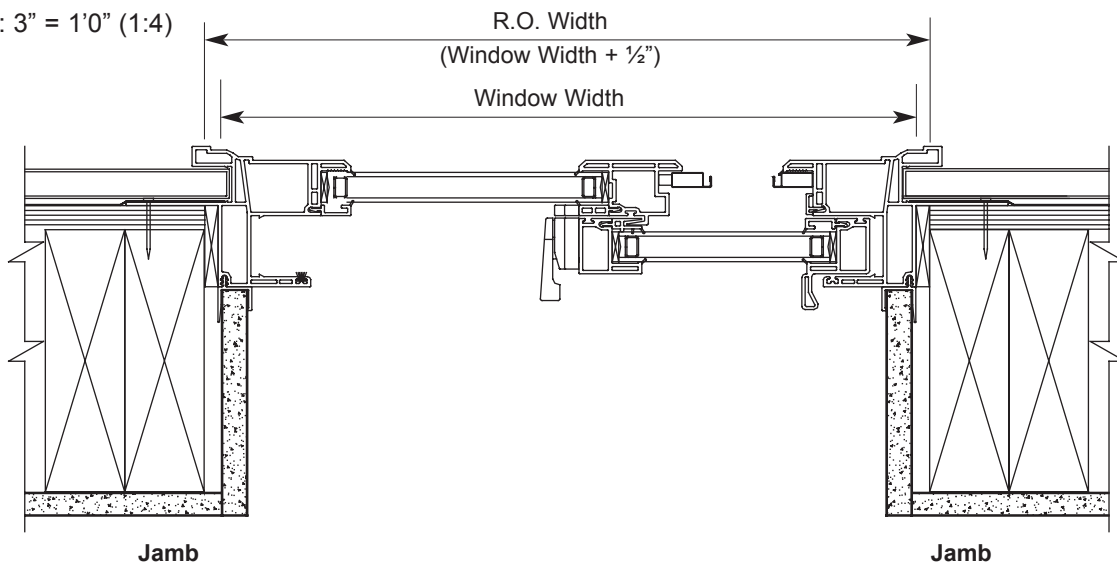
Scale: 3" = 1'0" (1:4)



**Vertical Section**  
2 x 6 Frame Construction  
w/ Exterior Siding  
Scale: 3" = 1'0" (1:4)



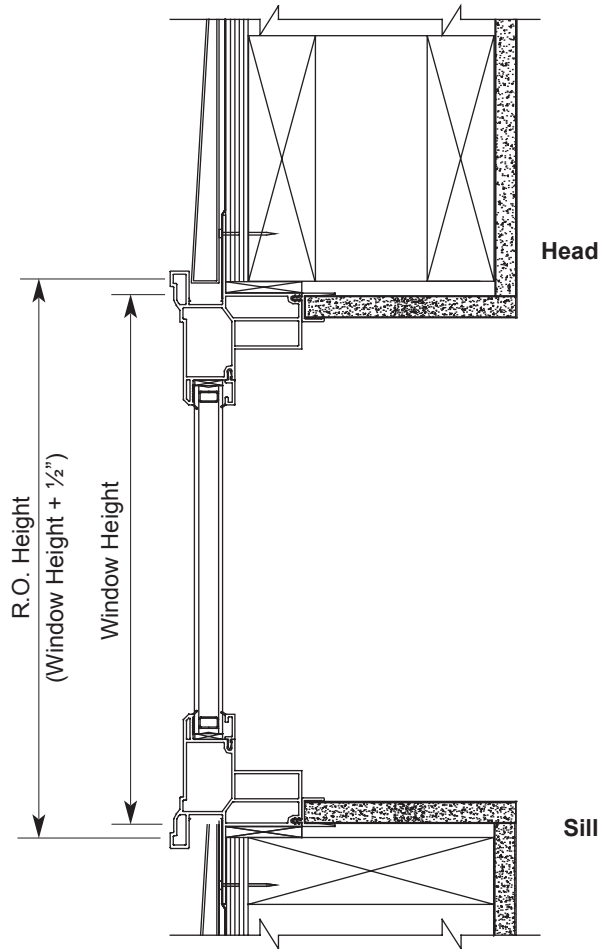
**Horizontal Section**  
2 x 6 Frame Construction  
w/ Exterior Siding  
Scale: 3" = 1'0" (1:4)



**Vertical Section**

2 x 6 Frame Construction  
 w/ Exterior Siding

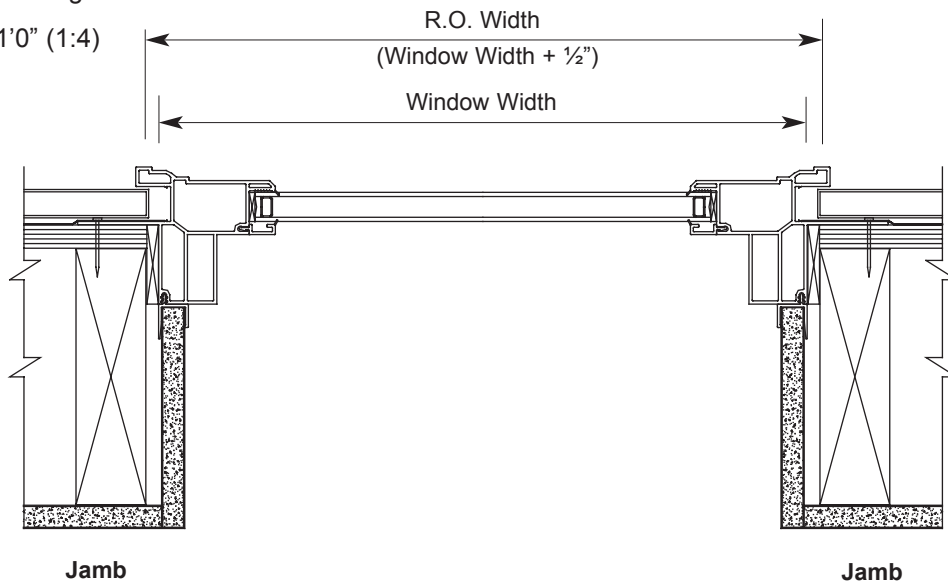
Scale: 3" = 1'0" (1:4)



**Horizontal Section**

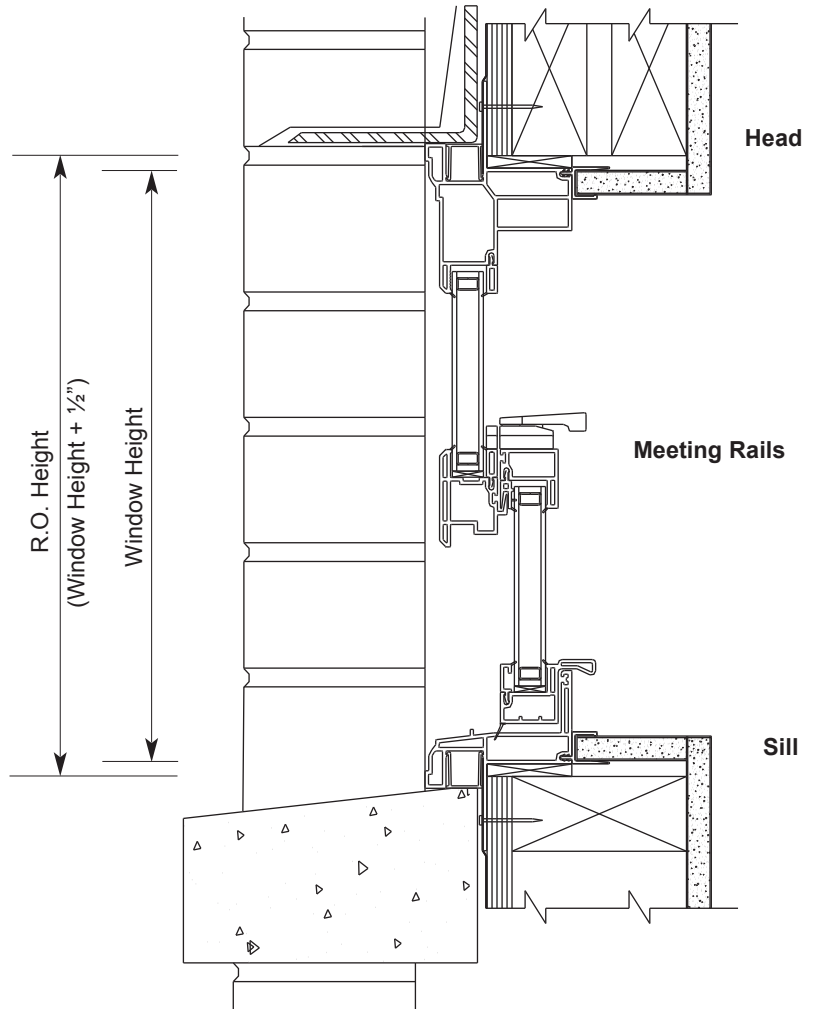
2 x 6 Frame Construction  
 w/ Exterior Siding

Scale: 3" = 1'0" (1:4)



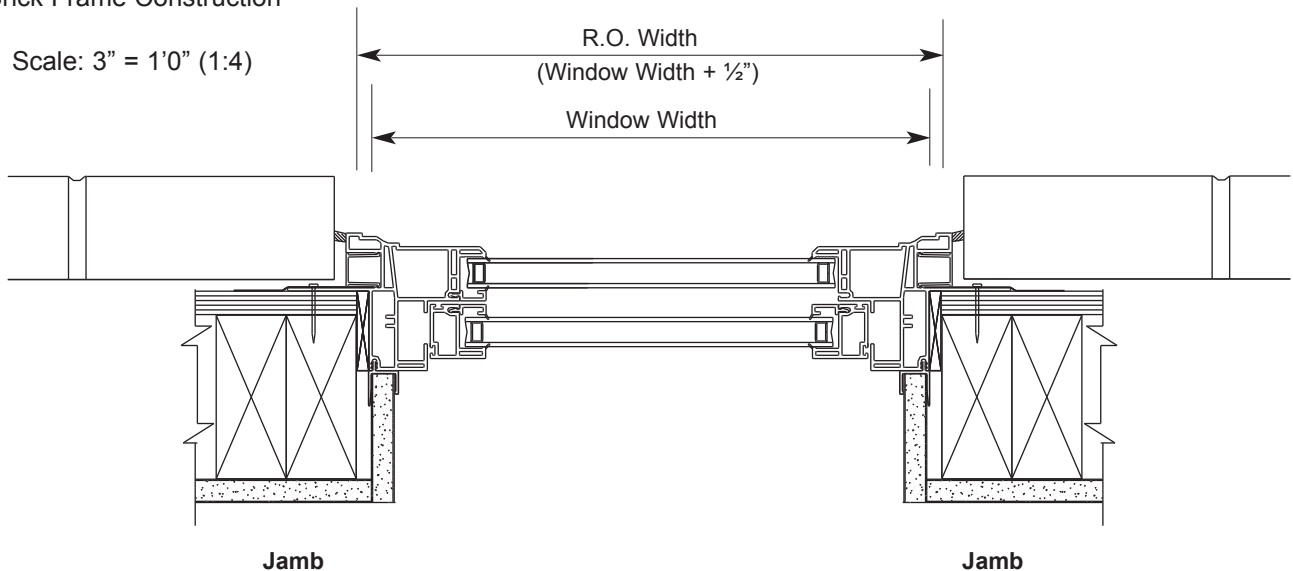
**Vertical Section**  
Brick Frame Construction

Scale: 3" = 1'0" (1:4)

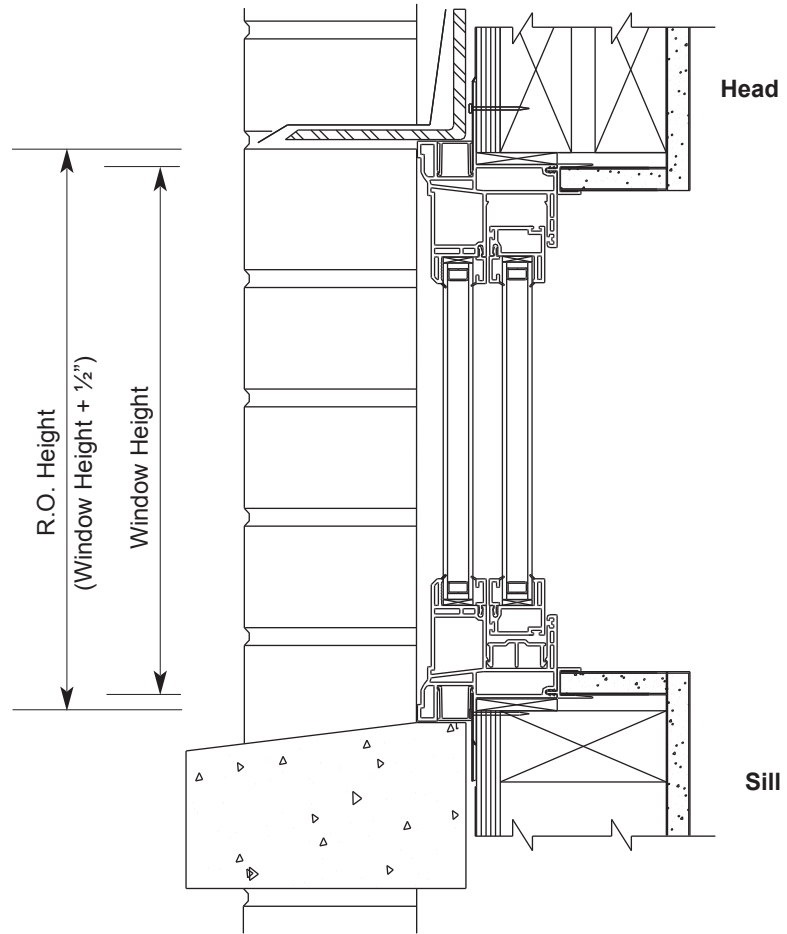


**Horizontal Section**  
Brick Frame Construction

Scale: 3" = 1'0" (1:4)

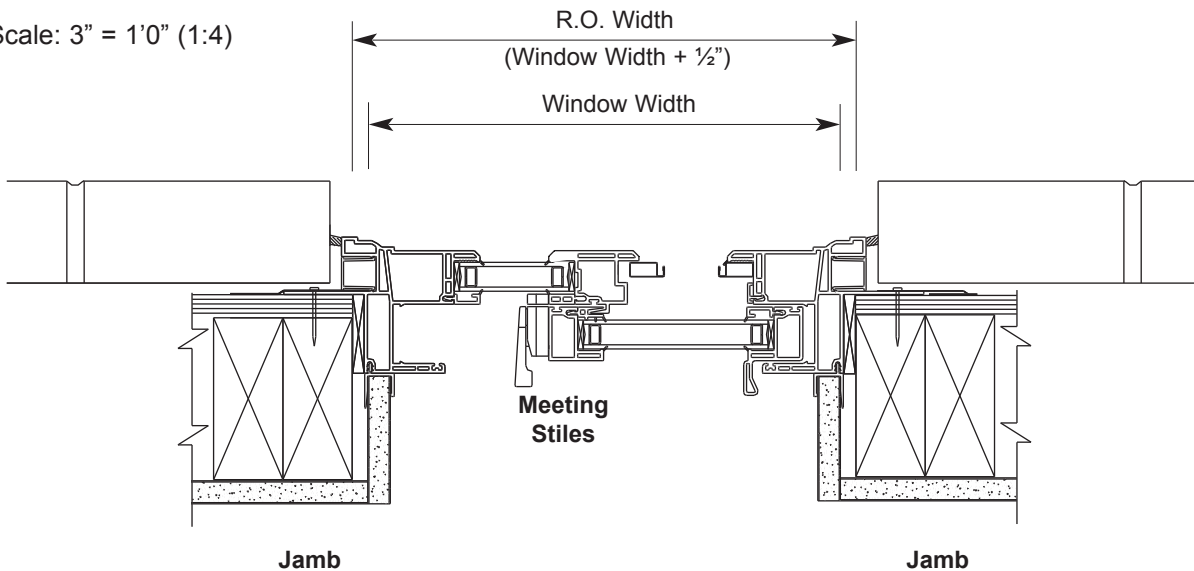


**Vertical Section**  
Brick Frame Construction  
Scale: 3" = 1'0" (1:4)



**Horizontal Section**  
Brick Frame Construction

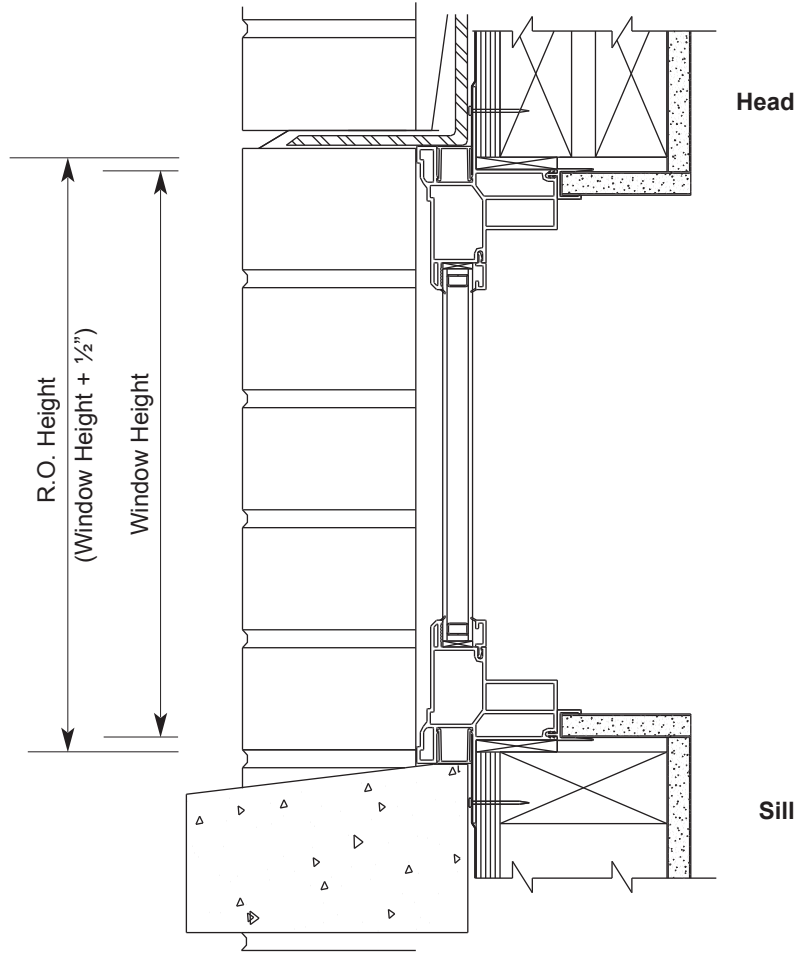
Scale: 3" = 1'0" (1:4)





**Vertical Section**  
Brick Frame Construction

Scale: 3" = 1'0" (1:4)



**Horizontal Section**  
Brick Frame Construction

Scale: 3" = 1'0" (1:4)

