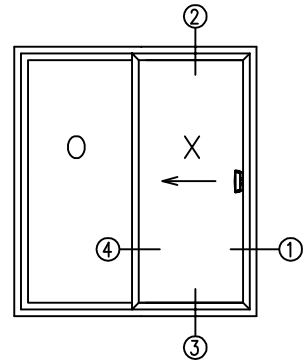
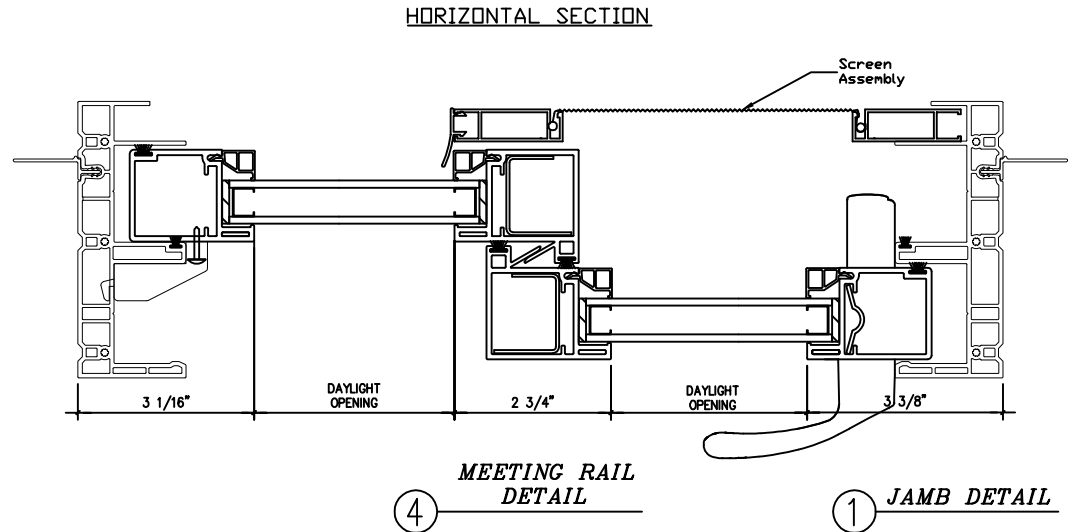


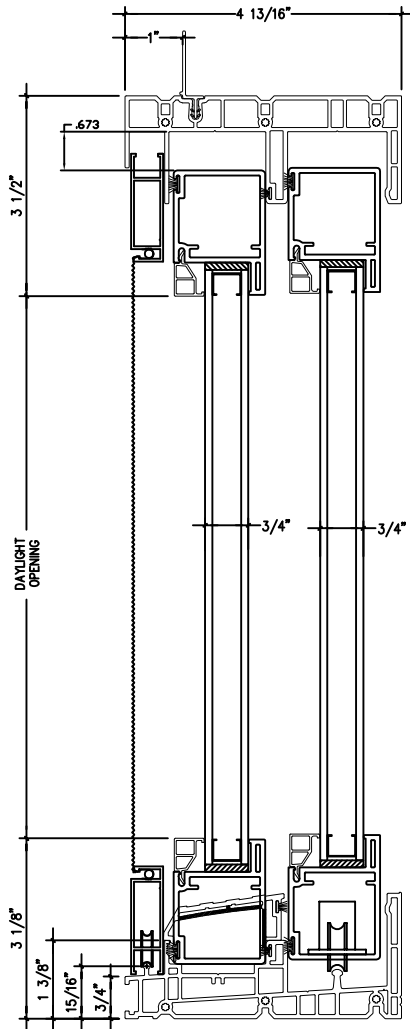
② **HEAD DETAIL**

③ **SILL DETAIL**



SERIES 5502-5700 TWO PANEL PATIO DOOR WITH INSTALLATION FLANGE

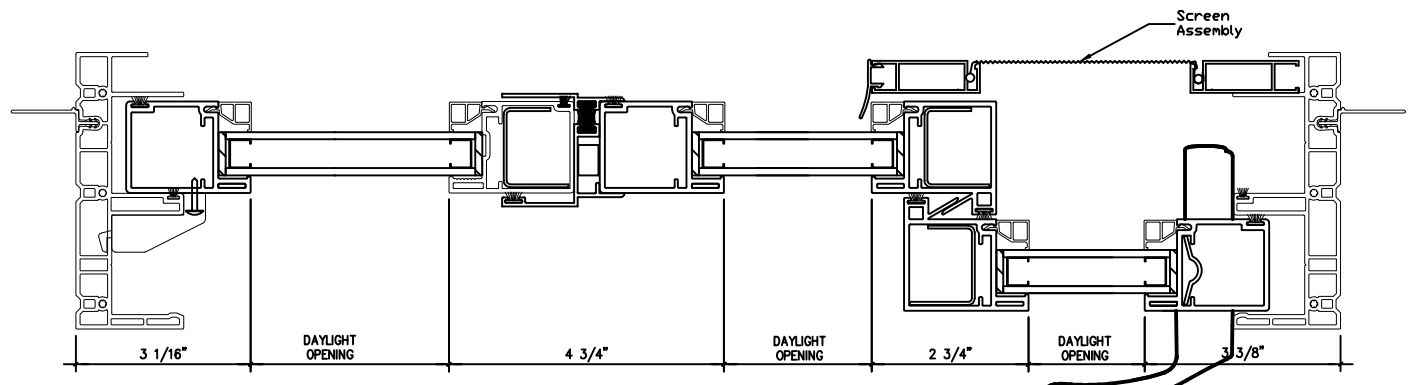
REV	DESCRIPTION	BY	DATE	APP.
<p>Silver Line ONE SILVERLINE DRIVE NORTH BRUNSWICK, NJ 08902 (732) 435-1000</p>				
ASSY WITH				
PRODUCT	SERIES 5500/5700 2 PNL PATIO DOOR RIGHT SIDE OPERATING	DWN PA	DATE 03/09/15	
MATERIAL	VINYL	APP	DATE	
PART	ASSEMBLY LAYOUT	B	DWG NO. 5502/5702	REV. -



② **HEAD DETAIL**

③ **SILL DETAIL**

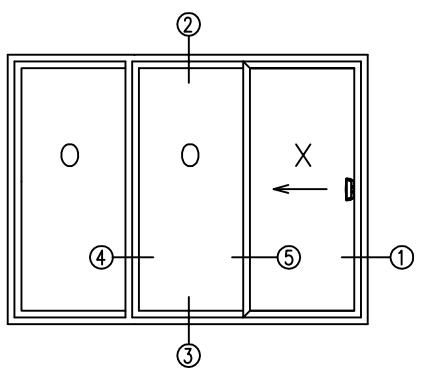
HORIZONTAL SECTION



④ **ASTRAGAL DETAIL**

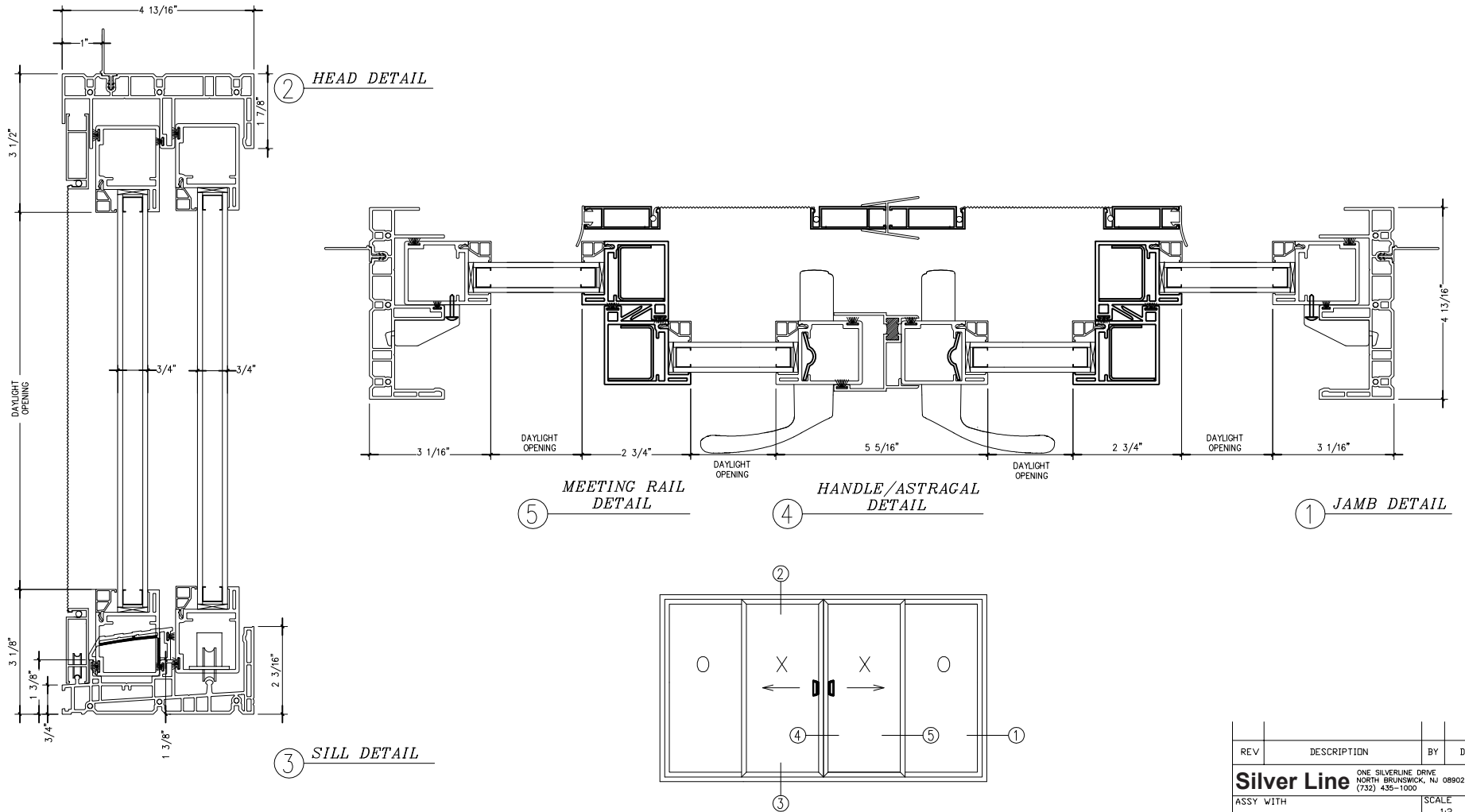
⑤ **MEETING RAIL DETAIL**

① **JAMB DETAIL**



SERIES 5503 THREE PANEL PATIO DOOR WITH INSTALLATION FLANGE

REV	DESCRIPTION	BY	DATE	APP.
Silver Line <small>ONE SILVERLINE DRIVE NORTH BRUNSWICK, NJ 08902 (732) 435-1000</small>				
ASSY WITH				
PRODUCT	SERIES 5500/5700 3 PNL PATIO DOOR RIGHT/LEFT SIDE OPERATING	DWN PA	DATE 03/09/15	
MATERIAL	VINYL	APP	DATE	
PART	ASSEMBLY LAYOUT	B	DWG NO. 5503	REV. -

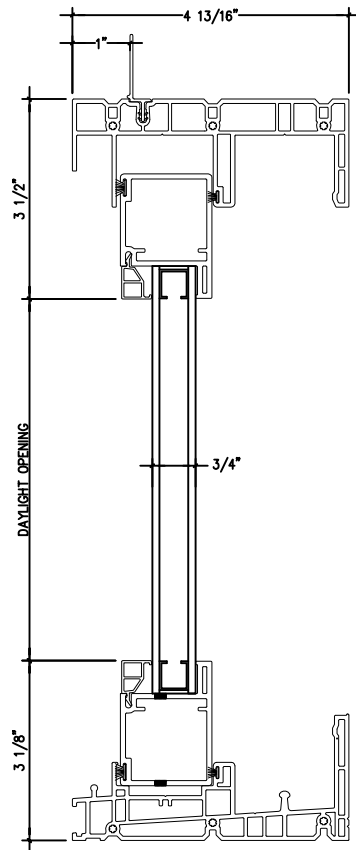


SERIES 5504 FOUR PANEL PATIO DOOR
WITH INSTALLATION FLANGE

REV	DESCRIPTION	BY	DATE	APP.
Silver Line <small>ONE SILVERLINE DRIVE NORTH BRUNSWICK, NJ 08902 (732) 435-1000</small>				
ASSY WITH		SCALE		
		1:2		
PRODUCT	SERIES 5504 FOUR PANEL PATIO DOOR	DWN.	PA	DATE
MATERIAL	VINYL	APP		DATE
PART	ASSEMBLY LAYOUT	DWG. NO.	5504	REV.
		B		-

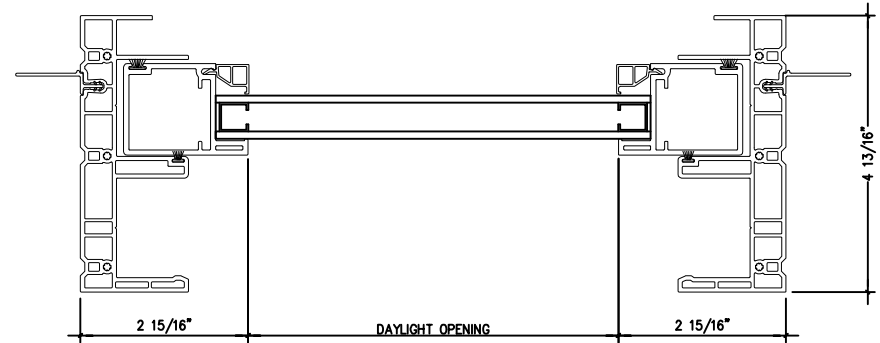


VERTICAL SECTION



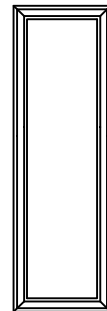
② HEAD DETAIL

HORIZONTAL SECTION



① JAMB DETAIL

③ SILL DETAIL

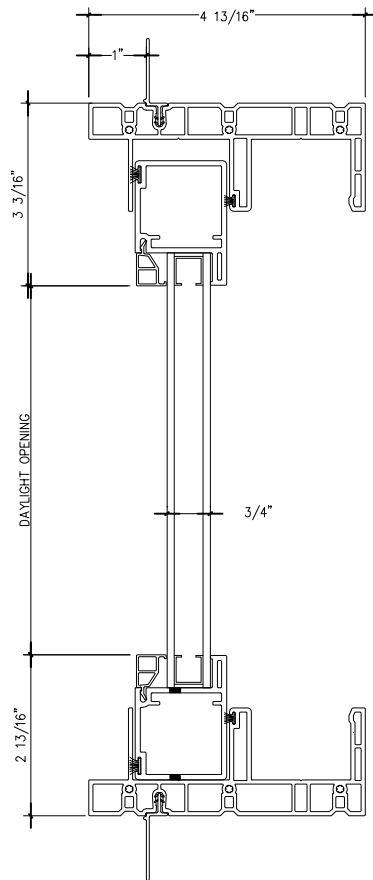


SERIES 5510 SIDE LITE
WITH INSTALLATION FLANGE

REV	DESCRIPTION	BY	DATE	APP.
Silver Line <small>ONE SILVERLINE DRIVE NORTH BRUNSWICK, NJ 08902 (732) 435-1000</small>				
ASSY WITH				
PRODUCT	SERIES 5510 Side Lite WITH INSTALLATION FLANGE	DWN PA	DATE 03/09/15	
MATERIAL	VINYL	APP	DATE	
PART	ASSEMBLY LAYOUT	B	DWG NO. 5510	REV. -

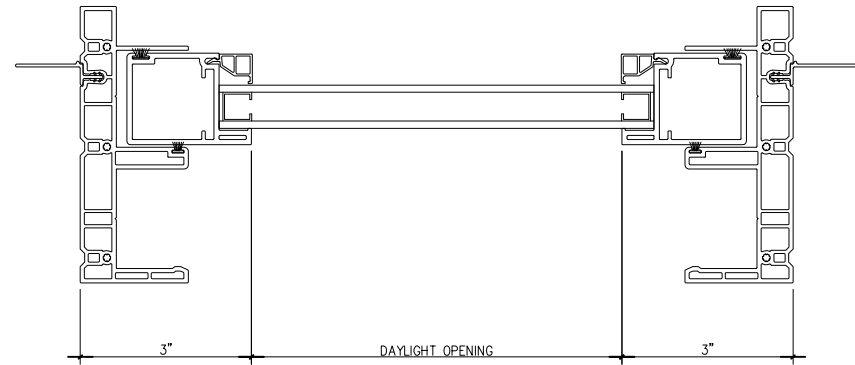


VERTICAL SECTION



② HEAD DETAIL

HORIZONTAL SECTION



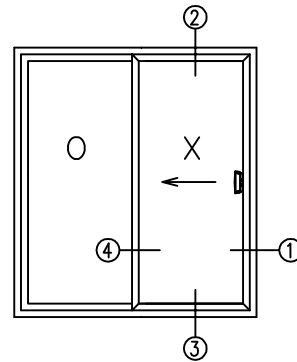
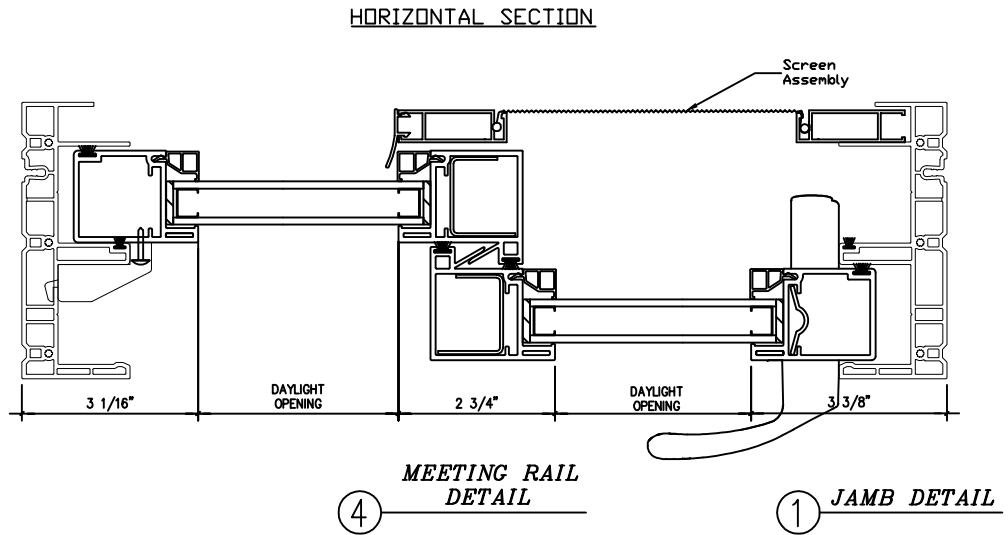
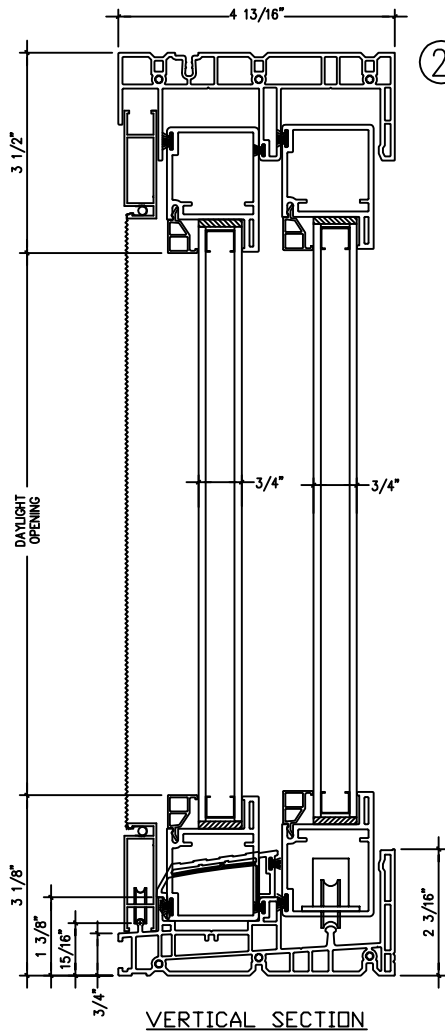
① JAMB DETAIL

③ SILL DETAIL



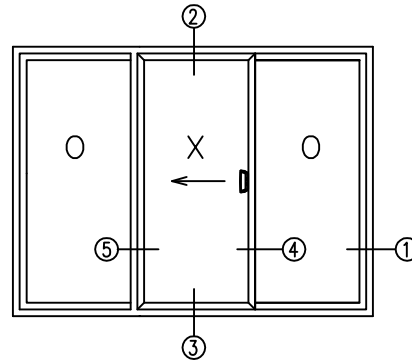
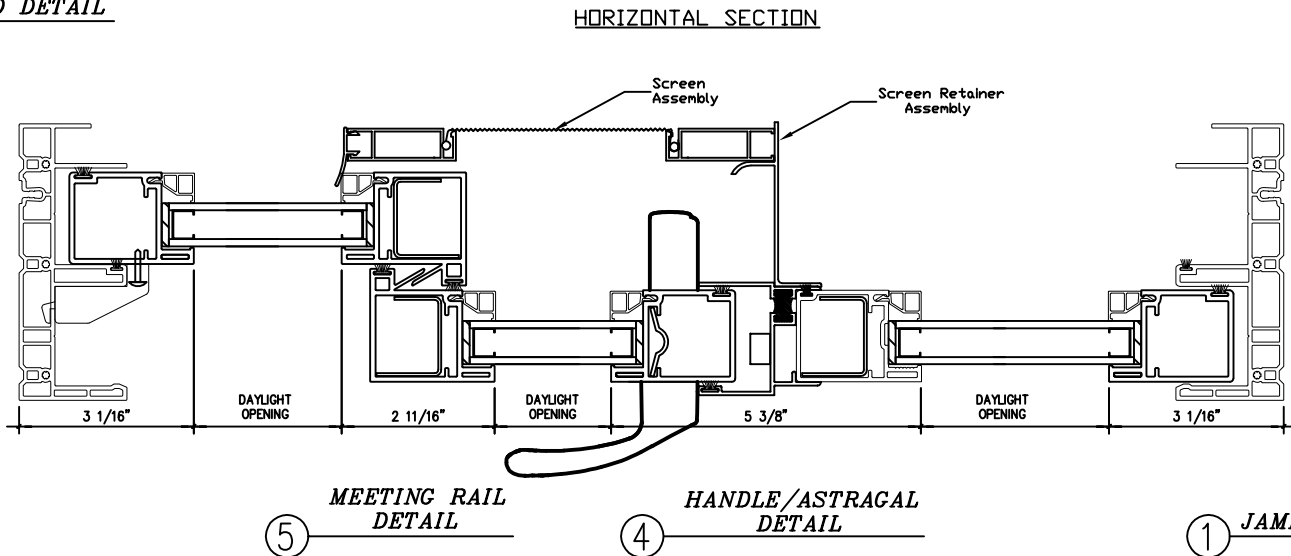
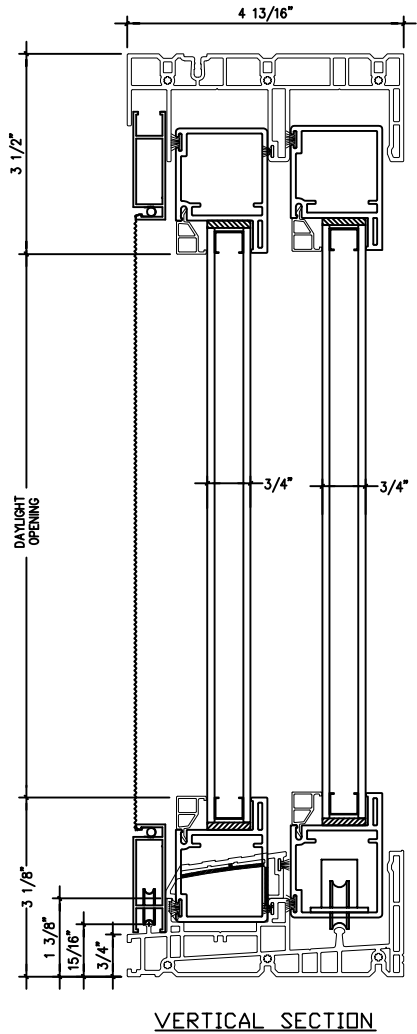
SERIES 5540 TRANSOM
WITH INSTALLATION FLANGE

REV	DESCRIPTION	BY	DATE	APP.
	Silver Line <small>ONE SILVERLINE DRIVE NORTH BRUNSWICK, NJ 08902 (732) 435-1000</small>			
	ASSY WITH			
	PRODUCT	SERIES 5540 TRANSOM WITH INSTALLATION FLANGE	DWN PA	DATE 03/09/15
	MATERIAL	VINYL	APP	DATE
	PART	ASSEMBLY LAYOUT	B DWG NO. 5540	REV. -



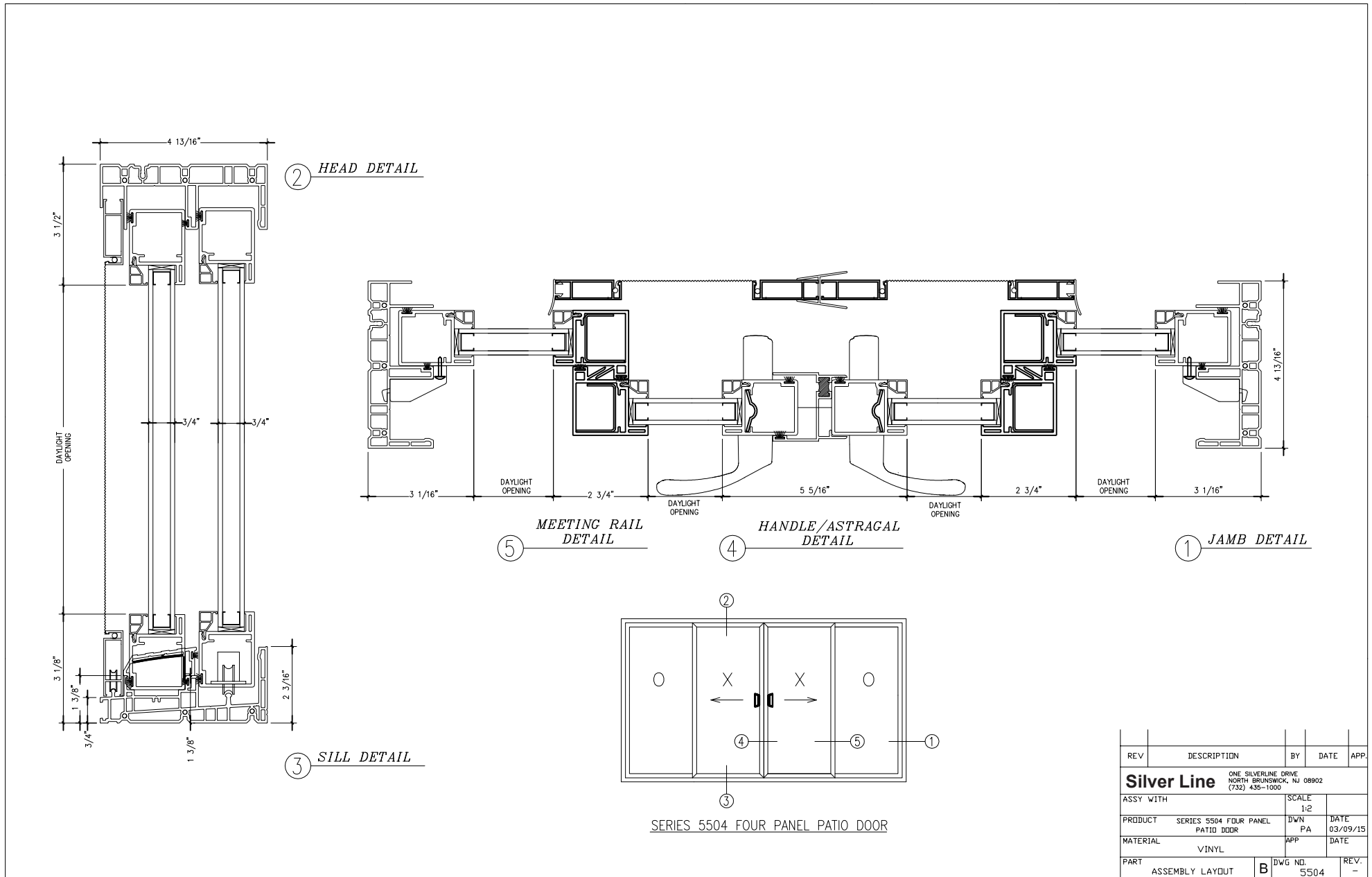
SERIES 5502-5700 TWO PANEL PATIO DOOR

REV	DESCRIPTION	BY	DATE	APP.
Silver Line <small>ONE SILVERLINE DRIVE NORTH BRUNSWICK, NJ 08902 (732) 435-1000</small>				
ASSY WITH				
PRODUCT	SERIES 5500/5700 2 PNL PATIO DOOR RIGHT SIDE OPERATING	DWN PA	DATE 03/09/15	
MATERIAL	VINYL	APP	DATE	
PART	ASSEMBLY LAYOUT	B	DWG NO. 5502/5702	REV. -

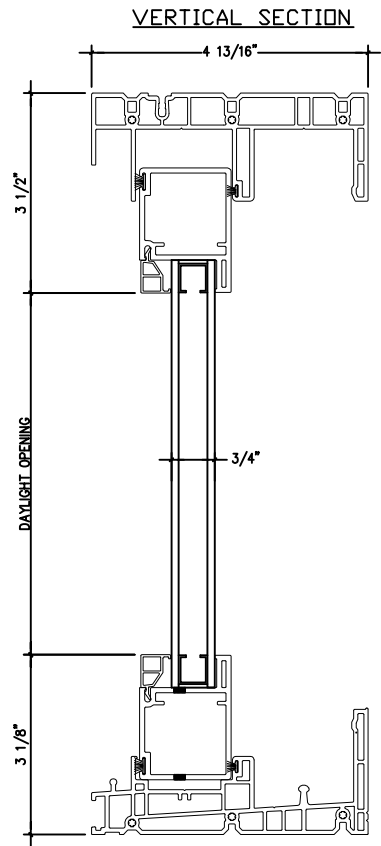


SERIES 5503 THREE PANEL PATIO DOOR

REV	DESCRIPTION	BY	DATE	APP.
Silver Line <small>ONE SILVERLINE DRIVE NORTH BRUNSWICK, NJ 08902 (732) 435-1000</small>				
ASSY WITH				
PRODUCT	SERIES 5500/5700 3 PNL PATIO DOOR CENTER OPERATING	DWN PA	DATE 03/09/15	
MATERIAL	VINYL	APP	DATE	
PART	ASSEMBLY LAYOUT	B	DWG NO. 5503	REV. -

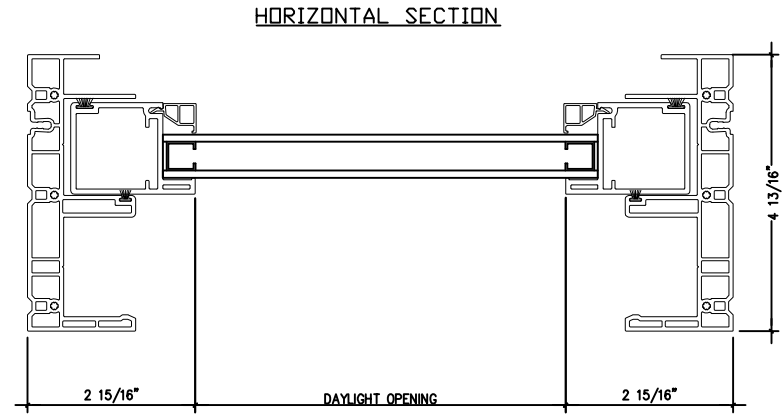


REV	DESCRIPTION	BY	DATE	APP.
Silver Line <small>ONE SILVERLINE DRIVE NORTH BRUNSWICK, NJ 08902 (732) 435-1000</small>				
ASSY WITH		SCALE		
		1:2		
PRODUCT	SERIES 5504 FOUR PANEL PATIO DOOR	DWN	DATE	
		PA	03/09/15	
MATERIAL	VINYL	APP	DATE	
PART	ASSEMBLY LAYOUT	DWG NO.	REV.	
		B	5504	-

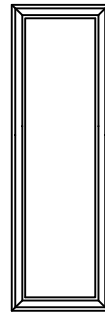


② HEAD DETAIL

③ SILL DETAIL



① JAMB DETAIL

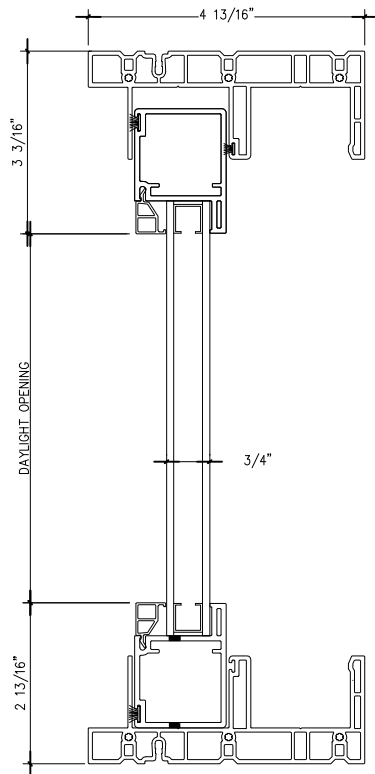


SERIES 5510 SIDE LITE

REV	DESCRIPTION	BY	DATE	APP.
Silver Line <small>ONE SILVERLINE DRIVE NORTH BRUNSWICK, NJ 08902 (732) 435-1000</small>				
ASSY WITH				
PRODUCT	SERIES 5510 Side Lite	DWN PA	DATE 03/09/15	
MATERIAL	VINYL	APP	DATE	
PART	ASSEMBLY LAYOUT	B	DWG NO. 5510	REV. -



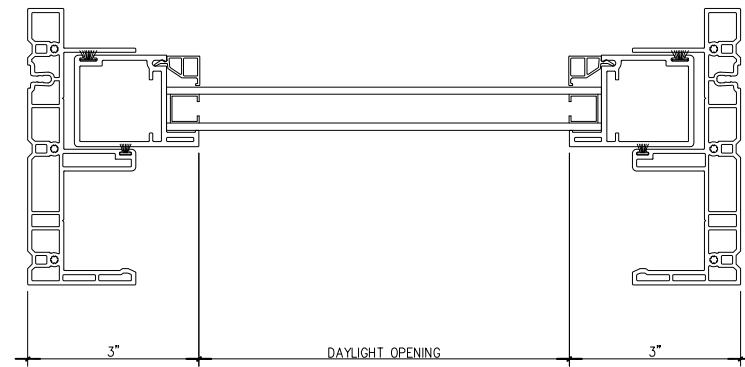
VERTICAL SECTION



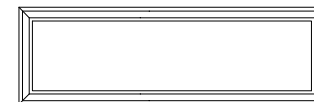
② HEAD DETAIL

③ SILL DETAIL

HORIZONTAL SECTION



① JAMB DETAIL



SERIES 5540 TRANSOM

REV	DESCRIPTION	BY	DATE	APP.
Silver Line <small>ONE SILVERLINE DRIVE NORTH BRUNSWICK, NJ 08902 (732) 435-1000</small>				
ASSY WITH				
PRODUCT	SERIES 5540 TRANSOM	DWN PA	DATE 03/09/15	
MATERIAL	VINYL	APP	DATE	
PART	ASSEMBLY LAYOUT	B	DWG NO. 5540	REV. -