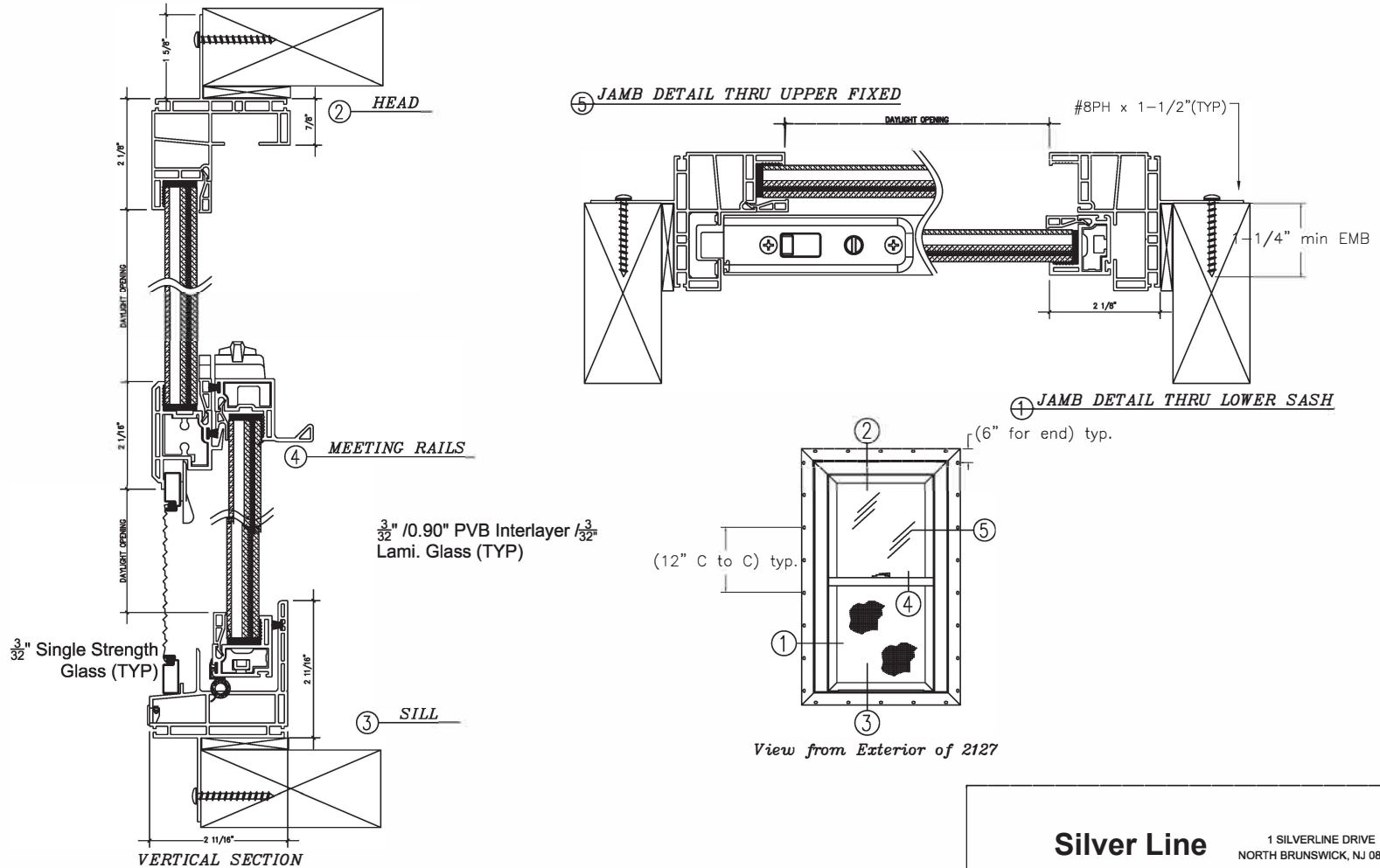


THIS MATERIAL IS PROPRIETARY AND CONFIDENTIAL TO SILVERLINE BUILDING PRODUCTS AND SHALL NOT BE REPRODUCED, COPY OR DISSEMINATED WITHOUT THE EXPRESSED WRITTEN PERMISSION OF SILVERLINE BUILDING PRODUCTS.

**SINGLE HUNG IMPACT WINDOW**



THIS MATERIAL IS PROPRIETARY AND CONFIDENTIAL TO SILVERLINE BUILDING PRODUCTS AND SHALL NOT BE REPRODUCED, COPY OR DISSEMINATED WITHOUT THE EXPRESSED WRITTEN PERMISSION OF SILVERLINE BUILDING PRODUCTS

<b>Silver Line</b>		1 SILVERLINE DRIVE NORTH BRUNSWICK, NJ 08902	
PRODUCT 2127 IMPACT		SCALE 2.5 to 1	DATE 7-17-13
PART Nail fin install		DWN CTC	REV. -
		DWG NO. AS-52-2127IMP-2	

STANDARD TOLERANCES: (UNLESS OTHERWISE NOTED)	
ALL WALLS	= ±.005
.000 TO .499	= ±.005
.500 TO 4.000	= ±.010
OVER 4.000	= ±.015
ANGULAR DIM.	= ±1/2°