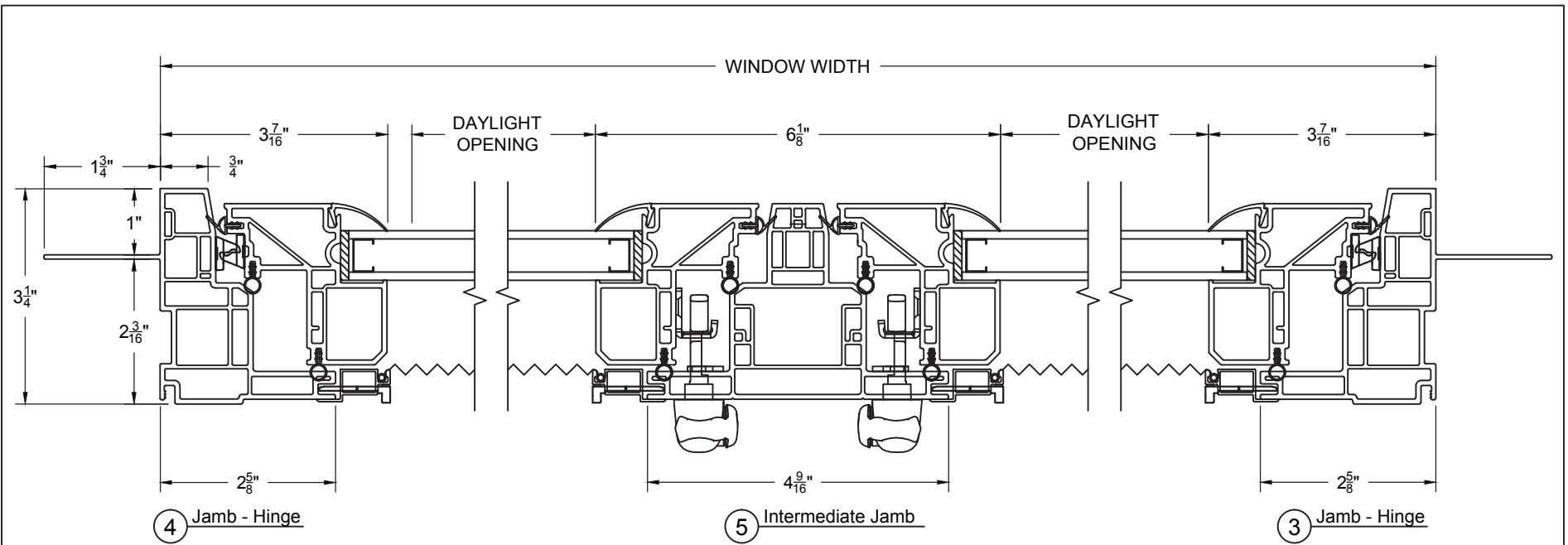
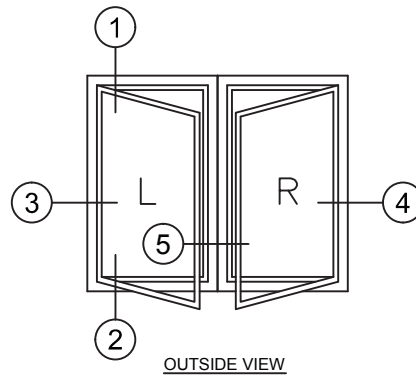


CONFIDENTIAL: THE INFORMATION CONTAINED IN THIS DOCUMENT IS CONFIDENTIAL AND PROPRIETARY TO SILVER LINE WINDOWS AND MAY NOT BE DISCLOSED TO NON-EMPLOYEES OF THE COMPANY OR USED IN ANY WAY OR FOR ANY PURPOSE OUTSIDE OF THE COMPANY WITHOUT THE EXPRESS WRITTEN CONSENT OF SILVER LINE WINDOWS. UNAUTHORIZED USE, REPRODUCTION, DISCLOSURE OR RETENTION OF ANY INFORMATION CONTAINED HEREIN IS EXPRESSLY PROHIBITED

SIZE		A		Silver Line		1 SILVERLINE DRIVE NORTH BRUNSWICK, NJ 08902 732-435-1000	
Released		Single Casement					
70 Series Casement w/Nail Fin							
DGN BY	DATE	PROJECT NO	PART NO	REV			
PA	7/24/2012	-	70NCW1	-			
DWN BY	DATE	FILE NAME					
PA	7/24/2012	U:\SilverLine\Product Design\70 Series\Design Data\SubComponents\70 Series Casement.dwg					
CHRD BY	DATE	GROUP	SCALE	SHEET	DWG NO	LAST UPDATED	
SM	7/20/2012	RD&I	1:2.4	1 of 12	70 SERIES CASEMENT	8/15/2012 1:04 PM	



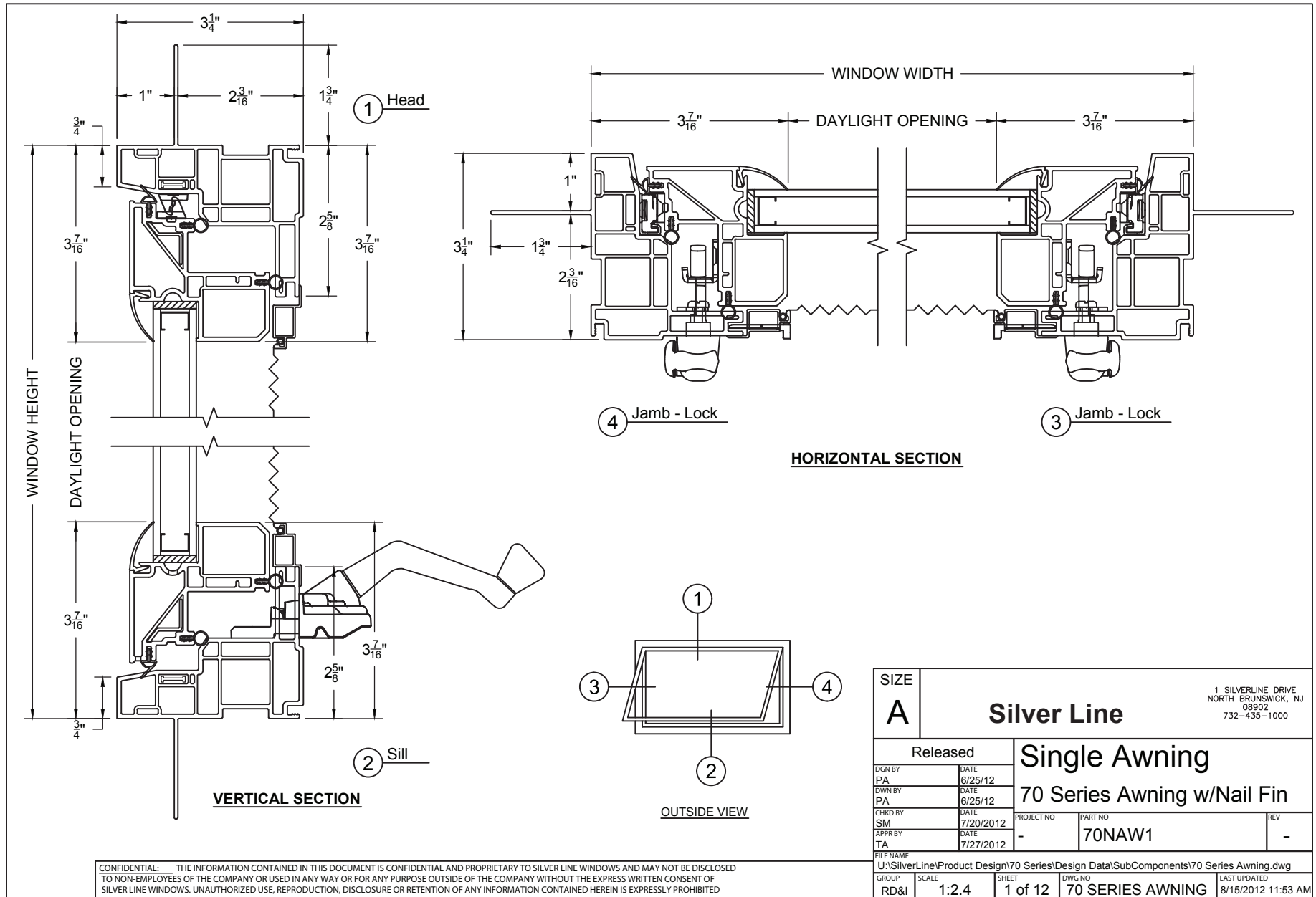
HORIZONTAL SECTION



OUTSIDE VIEW

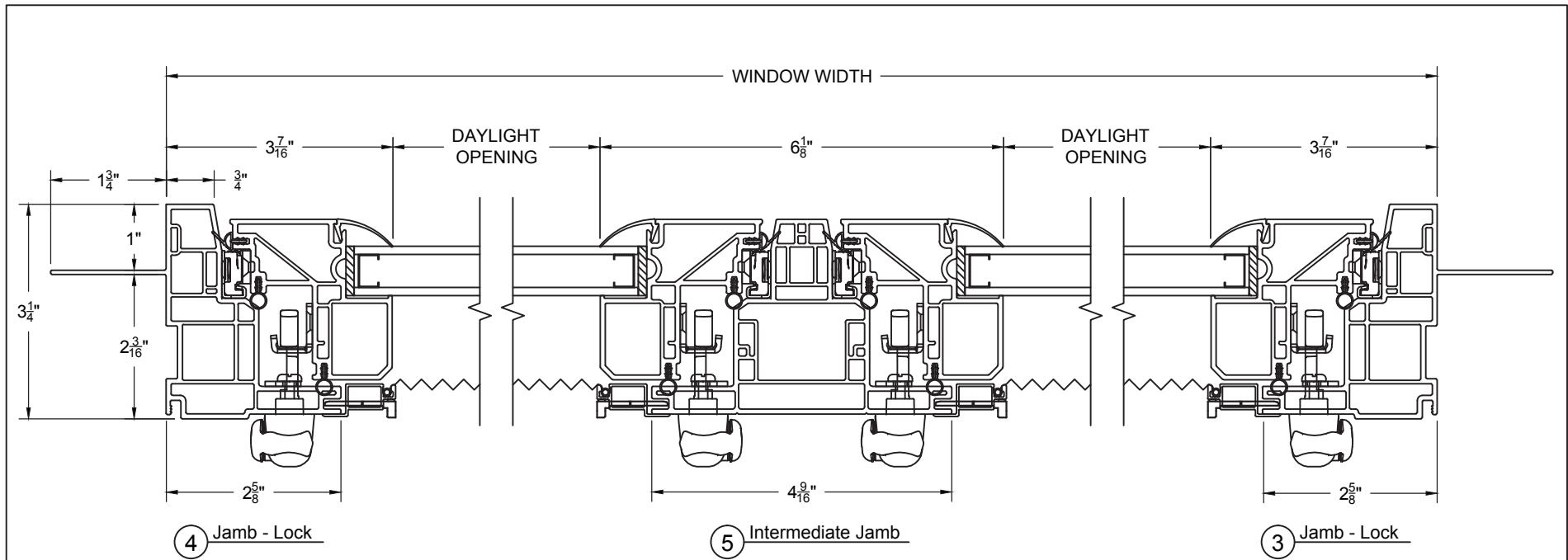
SIZE A		Silver Line		1 SILVERLINE DRIVE NORTH BRUNSWICK, NJ 08902 732-435-1000	
Released		Twin Casement			
DGN BY PA		DATE 7/24/2012		70 Series Casement w/Nail Fin	
DWN BY PA		DATE 7/24/2012		70NCW2	
CHKD BY SM		DATE 7/20/2012		PROJECT NO	PART NO
APPR BY TA		DATE 7/27/2012		-	-
FILE NAME U:\SilverLine\Product Design\70 Series\Design Data\SubComponents\70 Series Casement.dwg					
GROUP RD&I	SCALE 1:2.4	SHEET 2 of 12	DWG NO 70 SERIES CASEMENT	LAST UPDATED 8/15/2012 1:04 PM	

CONFIDENTIAL: THE INFORMATION CONTAINED IN THIS DOCUMENT IS CONFIDENTIAL AND PROPRIETARY TO SILVER LINE WINDOWS AND MAY NOT BE DISCLOSED TO NON-EMPLOYEES OF THE COMPANY OR USED IN ANY WAY OR FOR ANY PURPOSE OUTSIDE OF THE COMPANY WITHOUT THE EXPRESS WRITTEN CONSENT OF SILVER LINE WINDOWS. UNAUTHORIZED USE, REPRODUCTION, DISCLOSURE OR RETENTION OF ANY INFORMATION CONTAINED HEREIN IS EXPRESSLY PROHIBITED

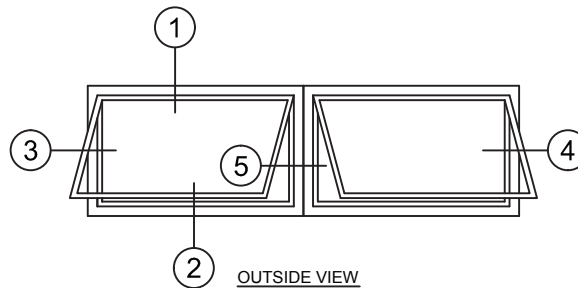


CONFIDENTIAL: THE INFORMATION CONTAINED IN THIS DOCUMENT IS CONFIDENTIAL AND PROPRIETARY TO SILVER LINE WINDOWS AND MAY NOT BE DISCLOSED TO NON-EMPLOYEES OF THE COMPANY OR USED IN ANY WAY OR FOR ANY PURPOSE OUTSIDE OF THE COMPANY WITHOUT THE EXPRESS WRITTEN CONSENT OF SILVER LINE WINDOWS. UNAUTHORIZED USE, REPRODUCTION, DISCLOSURE OR RETENTION OF ANY INFORMATION CONTAINED HEREIN IS EXPRESSLY PROHIBITED

SIZE		A		1 SILVERLINE DRIVE NORTH BRUNSWICK, NJ 08902 732-435-1000	
Released		Silver Line			
DGN BY PA		DATE 6/25/12		Single Awning	
DWN BY PA		DATE 6/25/12		70 Series Awning w/Nail Fin	
CHKD BY SM	DATE 7/20/2012	PROJECT NO	PART NO	REV	
APPR BY TA	DATE 7/27/2012	-	70NAW1	-	
FILE NAME U:\SilverLine\Product Design\70 Series\Design Data\SubComponents\70 Series Awning.dwg					
GROUP	SCALE	SHEET	DWG NO	LAST UPDATED	
RD&I	1:2.4	1 of 12	70 SERIES AWNING	8/15/2012 11:53 AM	

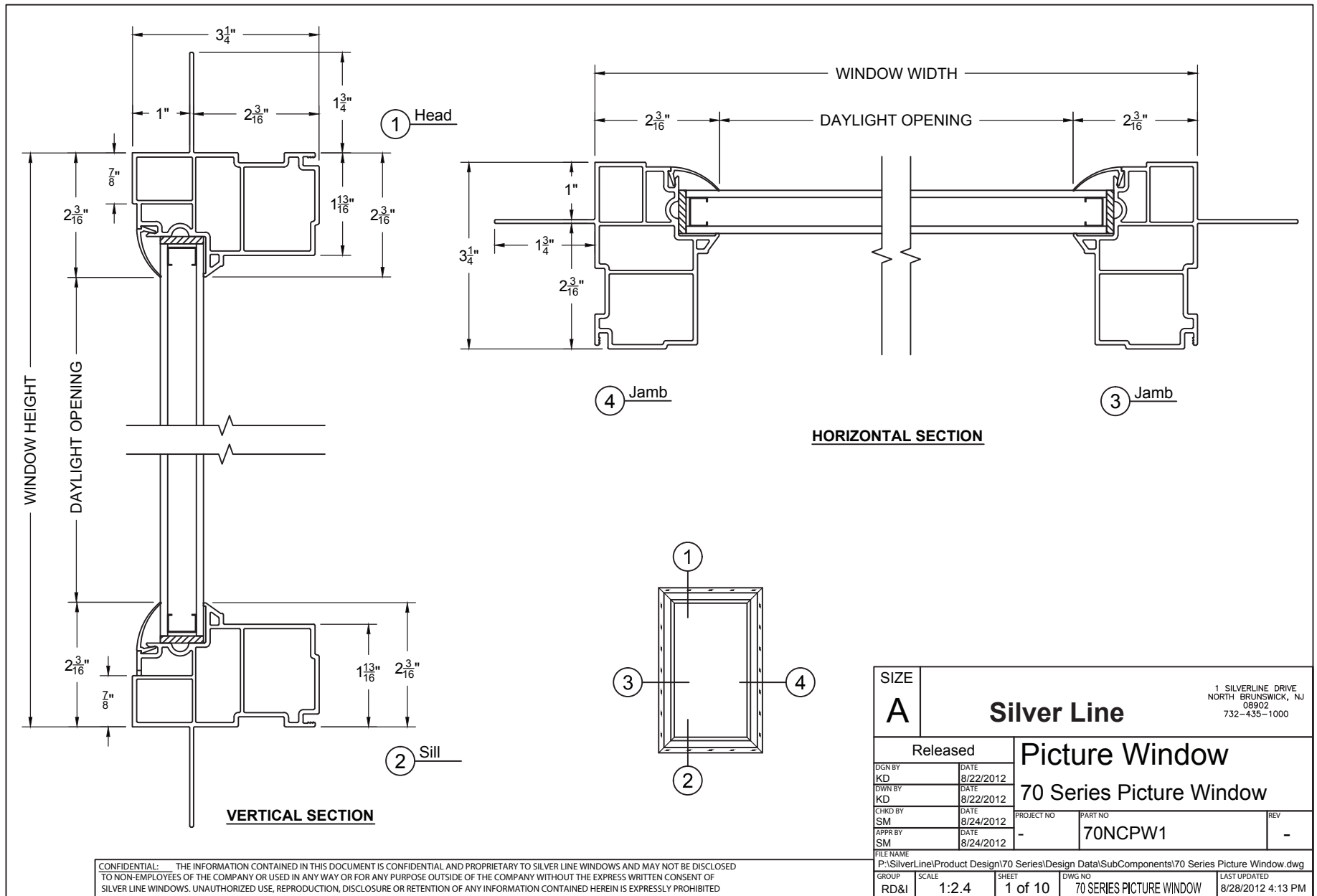


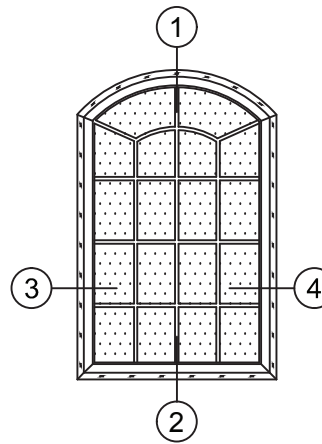
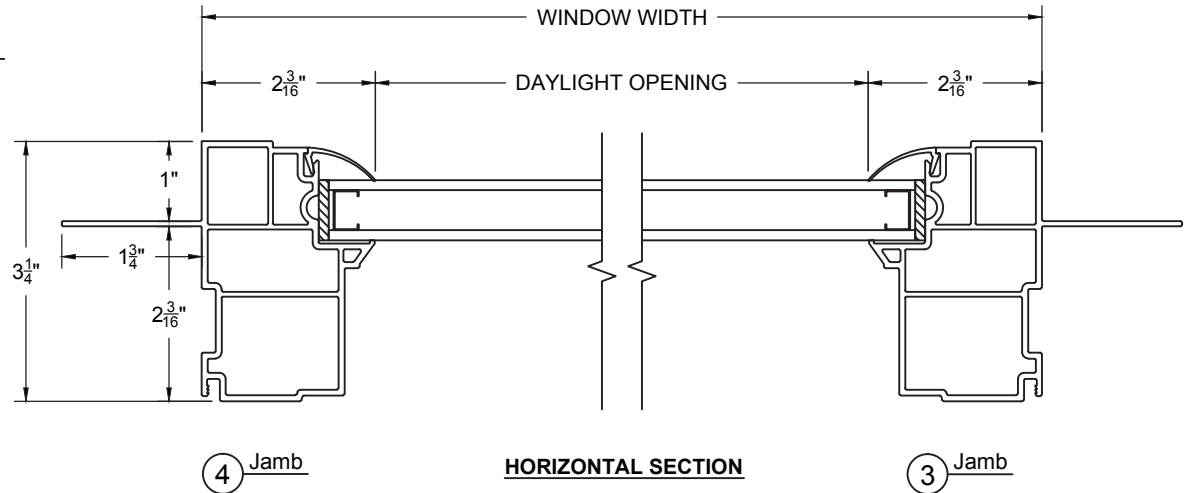
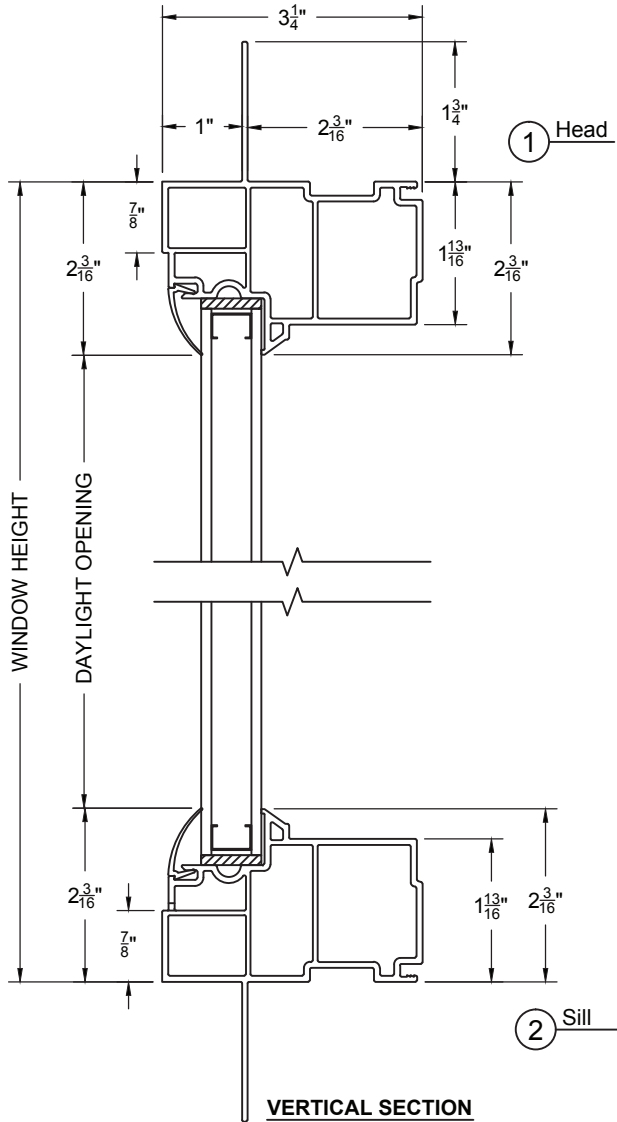
HORIZONTAL SECTION



SIZE		A		1 SILVERLINE DRIVE NORTH BRUNSWICK, NJ 08902 732-435-1000	
Released		Silver Line			
DGN BY PA		DATE 8/14/2012		Twin Awning	
DWN BY PA		DATE 8/14/2012			
CHKD BY SM		DATE 7/20/2012		70 Series Awning w/Nail Fin	
APPR BY TA		DATE 7/27/2012		PROJECT NO -	PART NO 70NAW2
FILE NAME U:\SilverLine\Product Design\70 Series\Design Data\SubComponents\70 Series Awning.dwg					
GROUP RD&I	SCALE 1:2.4	SHEET 2 of 12	DWG NO 70 SERIES AWNING	LAST UPDATED 8/15/2012 11:53 AM	

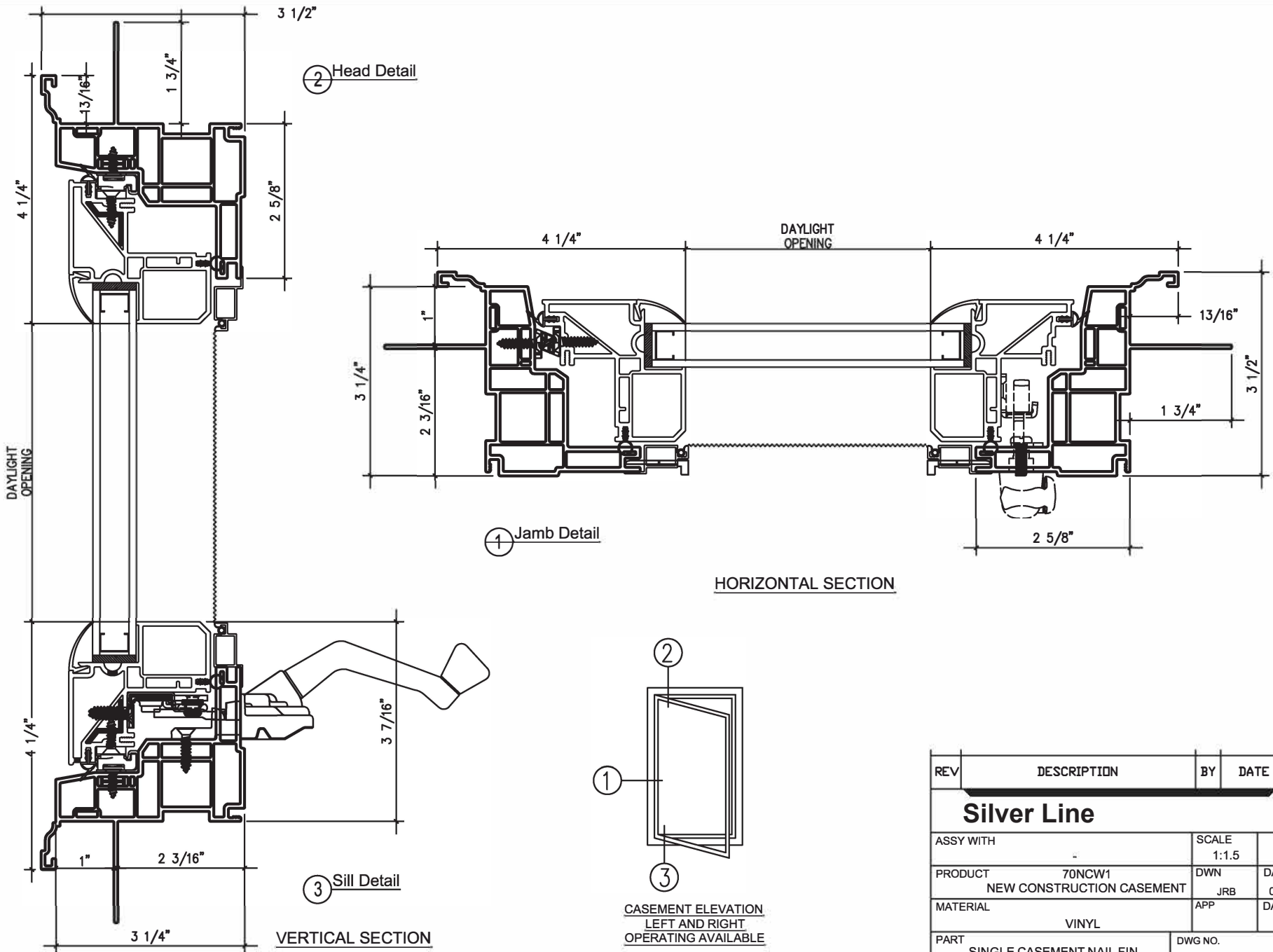
CONFIDENTIAL: THE INFORMATION CONTAINED IN THIS DOCUMENT IS CONFIDENTIAL AND PROPRIETARY TO SILVER LINE WINDOWS AND MAY NOT BE DISCLOSED TO NON-EMPLOYEES OF THE COMPANY OR USED IN ANY WAY OR FOR ANY PURPOSE OUTSIDE OF THE COMPANY WITHOUT THE EXPRESS WRITTEN CONSENT OF SILVER LINE WINDOWS. UNAUTHORIZED USE, REPRODUCTION, DISCLOSURE OR RETENTION OF ANY INFORMATION CONTAINED HEREIN IS EXPRESSLY PROHIBITED





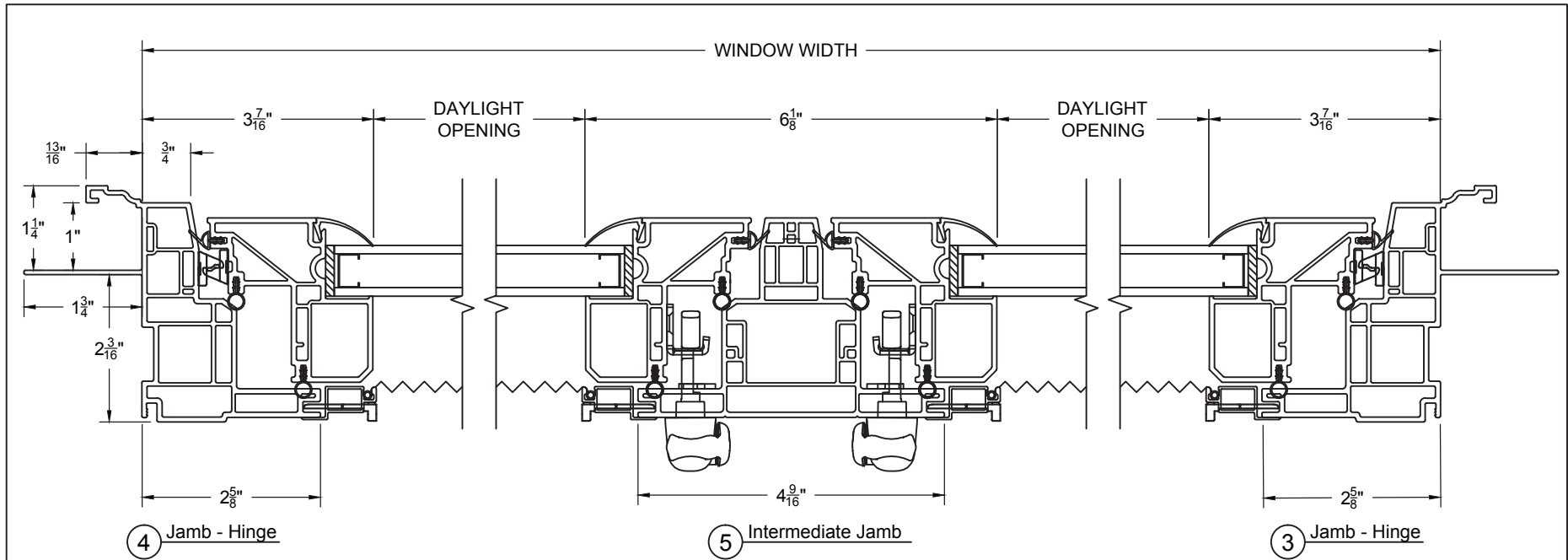
SIZE		Silver Line		1 SILVERLINE DRIVE NORTH BRUNSWICK, NJ 08902 732-435-1000	
A		Casement Shapes			
Released		70 Series Shapes			
DGN BY	DATE	PROJECT NO	PART NO	REV	
PA	8/15/2012	-	70NCAT Shown	-	
DWN BY	DATE				
PA	8/15/2012				
CHKD BY	DATE				
SM	8/24/2012				
APPR BY	DATE				
SM	8/24/2012				
FILE NAME P:\SilverLine\Product Design\70 Series\Design Data\SubComponents\70 Series Csmt Architectural.dwg					
GROUP	SCALE	SHEET	DWG NO	LAST UPDATED	
RD&I	1:2.4	1 of 10	70 SERIES CSMT ARCHITECTURAL	8/24/2012 3:21 PM	

CONFIDENTIAL: THE INFORMATION CONTAINED IN THIS DOCUMENT IS CONFIDENTIAL AND PROPRIETARY TO SILVER LINE WINDOWS AND MAY NOT BE DISCLOSED TO NON-EMPLOYEES OF THE COMPANY OR USED IN ANY WAY OR FOR ANY PURPOSE OUTSIDE OF THE COMPANY WITHOUT THE EXPRESS WRITTEN CONSENT OF SILVER LINE WINDOWS. UNAUTHORIZED USE, REPRODUCTION, DISCLOSURE OR RETENTION OF ANY INFORMATION CONTAINED HEREIN IS EXPRESSLY PROHIBITED

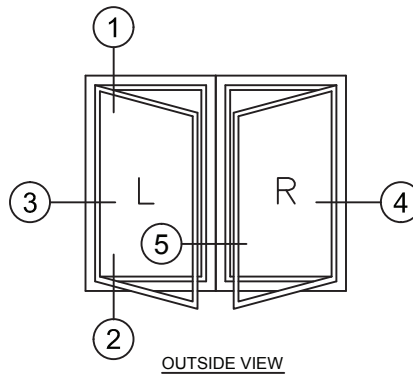


THIS MATERIAL IS PROPRIETARY AND CONFIDENTIAL TO SILVER LINE WINDOWS & DOORS AND SHALL NOT BE REPRODUCED. COPY OR DISSEMINATED WITHOUT THE EXPRESSED WRITTEN PERMISSION OF SILVER LINE WINDOWS AND DOORS.

REV	DESCRIPTION	BY	DATE
Silver Line			
ASSY WITH		SCALE	
		1:1.5	
PRODUCT		DWN	DATE
70NCW1 NEW CONSTRUCTION CASEMENT		JRB	02/15/12
MATERIAL		APP	DATE
VINYL			
PART	DWG NO.	REV.	
SINGLE CASEMENT NAIL FIN	AS-70NCW1	-	



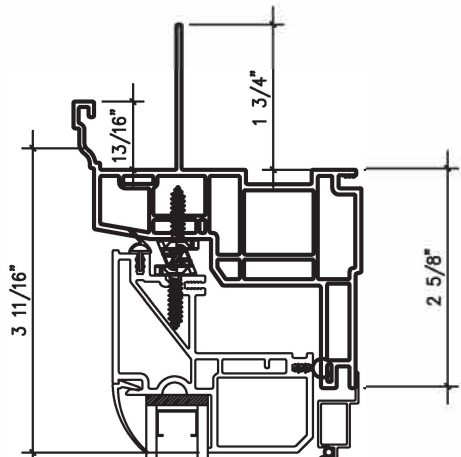
HORIZONTAL SECTION



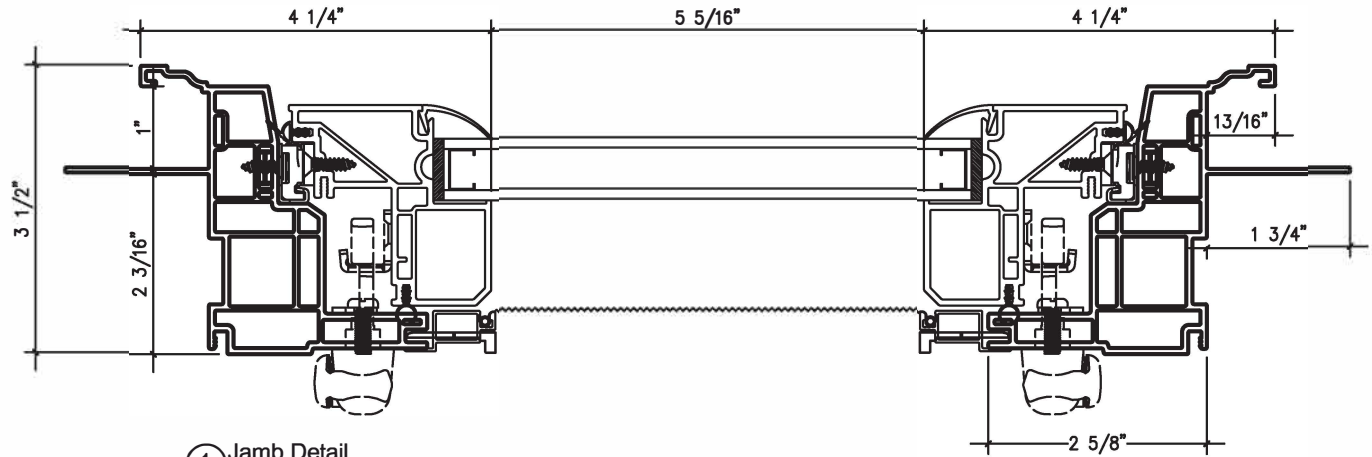
OUTSIDE VIEW

SIZE	A			1 SILVERLINE DRIVE NORTH BRUNSWICK, NJ 08902 732-435-1000	
Released			Silver Line		
DGN BY PA DATE 7/26/2012			Twin Casement		
DWN BY PA DATE 7/26/2012					
CHKD BY SM DATE 7/20/2012			PROJECT NO	PART NO	REV
APPR BY TA DATE 7/27/2012			-	70NCW2	-
FILE NAME					
U:\SilverLine\Product Design\70 Series\Design Data\SubComponents\70 Series Casement.dwg					
GROUP	SCALE	SHEET	DWG NO	LAST UPDATED	
RD&I	1:2.4	8 of 12	70 SERIES CASEMENT	8/15/2012 1:04 PM	

CONFIDENTIAL: THE INFORMATION CONTAINED IN THIS DOCUMENT IS CONFIDENTIAL AND PROPRIETARY TO SILVER LINE WINDOWS AND MAY NOT BE DISCLOSED TO NON-EMPLOYEES OF THE COMPANY OR USED IN ANY WAY OR FOR ANY PURPOSE OUTSIDE OF THE COMPANY WITHOUT THE EXPRESS WRITTEN CONSENT OF SILVER LINE WINDOWS. UNAUTHORIZED USE, REPRODUCTION, DISCLOSURE OR RETENTION OF ANY INFORMATION CONTAINED HEREIN IS EXPRESSLY PROHIBITED

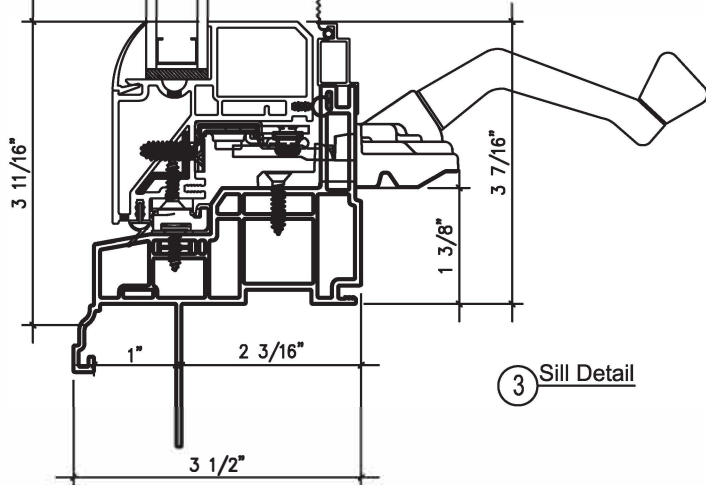


② Head Detail



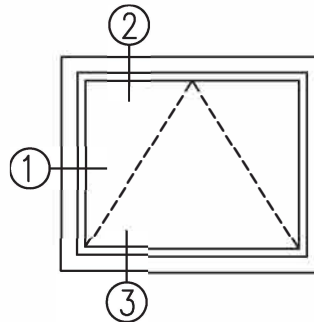
① Jamb Detail

HORIZONTAL SECTION



③ Sill Detail

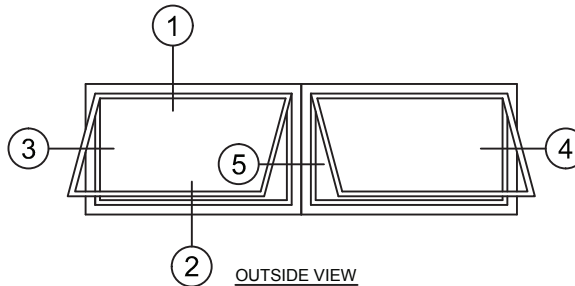
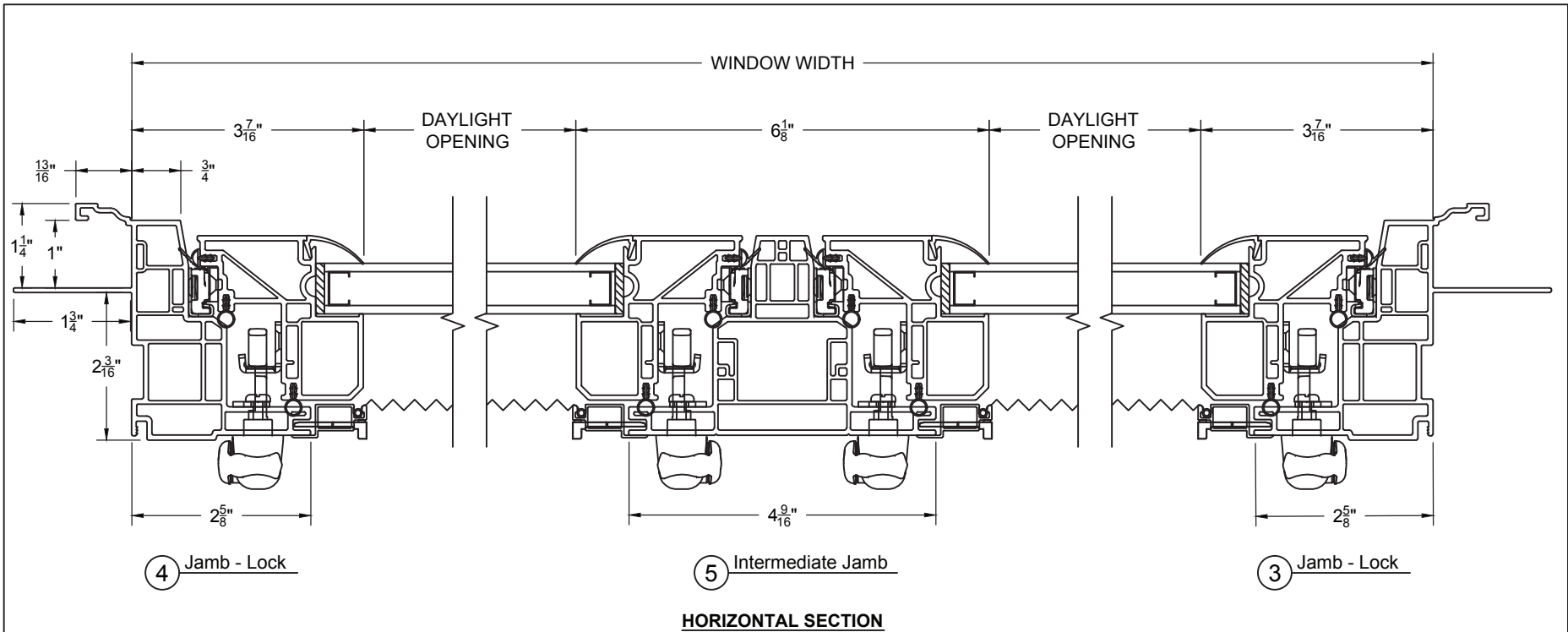
VERTICAL SECTION



70NAW1
New Construction Awning Window
Installation Elevation

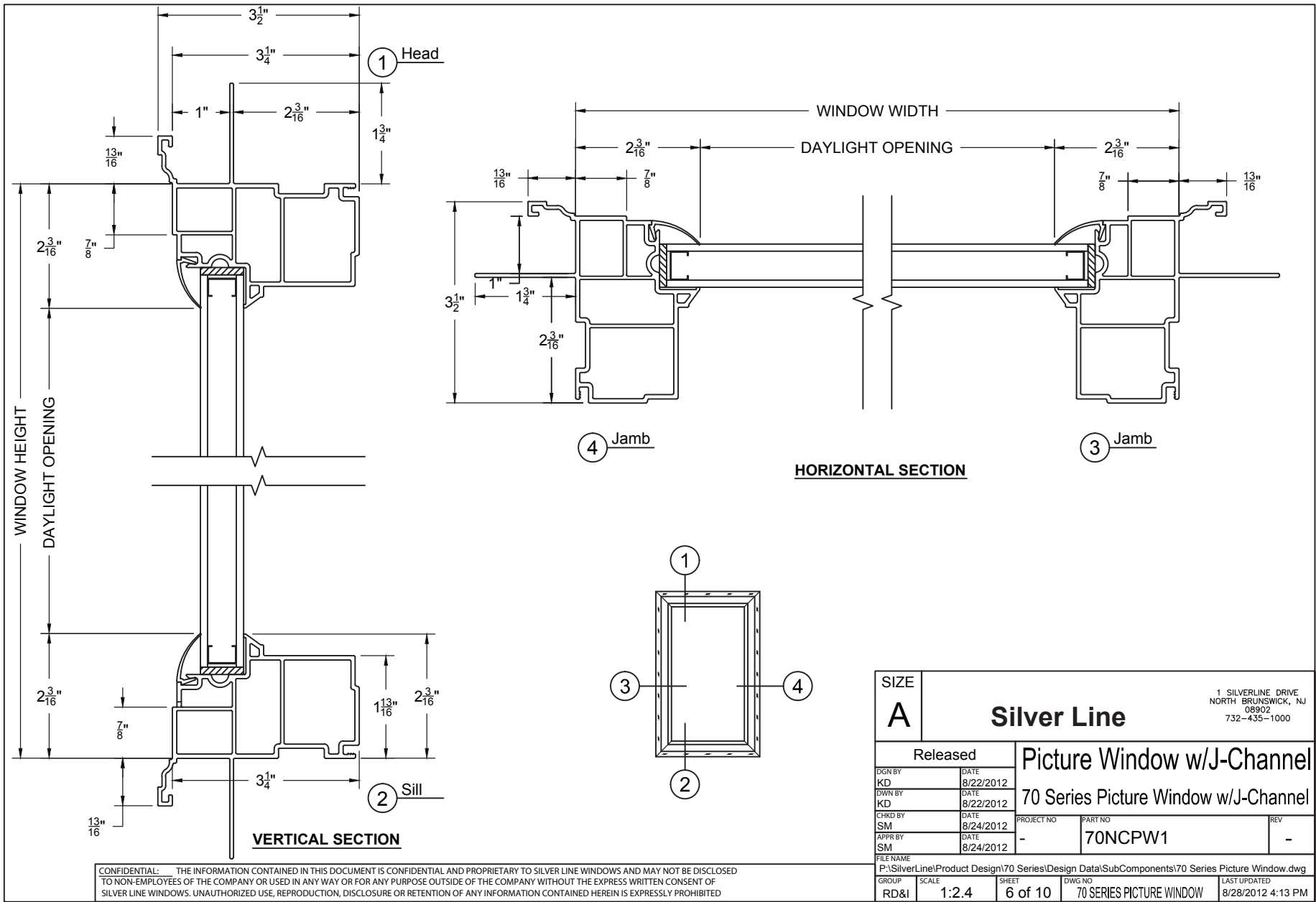
THIS MATERIAL IS PROPRIETARY AND CONFIDENTIAL TO SILVER LINE WINDOWS & DOORS AND SHALL NOT BE REPRODUCED, COPY OR DISSEMINATED WITHOUT THE EXPRESSED WRITTEN PERMISSION OF SILVER LINE WINDOWS AND DOORS

REV	DESCRIPTION	BY	DATE
Silver Line			
ONE SILVERLINE DRIVE NORTH BRUNSWICK, NJ 08902 (732) 435-1000			
ASSY WITH		SCALE	
		1:1.5	
PRODUCT	70NAW1 Awning 70 SERIES	DWN	DATE
		JRB	8/13/12
MATERIAL		APP	DATE
	VINYL		
PART		DWG NO.	REV.
		70NAW1- FIN	-



CONFIDENTIAL: THE INFORMATION CONTAINED IN THIS DOCUMENT IS CONFIDENTIAL AND PROPRIETARY TO SILVER LINE WINDOWS AND MAY NOT BE DISCLOSED TO NON-EMPLOYEES OF THE COMPANY OR USED IN ANY WAY OR FOR ANY PURPOSE OUTSIDE OF THE COMPANY WITHOUT THE EXPRESS WRITTEN CONSENT OF SILVER LINE WINDOWS. UNAUTHORIZED USE, REPRODUCTION, DISCLOSURE OR RETENTION OF ANY INFORMATION CONTAINED HEREIN IS EXPRESSLY PROHIBITED

SIZE	Silver Line			1 SILVERLINE DRIVE NORTH BRUNSWICK, NJ 08902 732-435-1000	
A	Twin Awning			70 Series Awning w/J-Channel	
Released		70NAW2			
DGN BY	DATE	PROJECT NO	PART NO	REV	
PA	8/15/2012	-	70NAW2	-	
DWN BY	DATE				
PA	8/15/2012				
CHKD BY	DATE				
SM	7/20/2012				
APPR BY	DATE				
TA	7/27/2012				
FILE NAME					
U:\SilverLine\Product Design\70 Series\Design Data\SubComponents\70 Series Awning.dwg					
GROUP	SCALE	SHEET	DWG NO	LAST UPDATED	
RD&I	1:2.4	8 of 12	70 SERIES AWNING	8/15/2012 11:53 AM	



CONFIDENTIAL: THE INFORMATION CONTAINED IN THIS DOCUMENT IS CONFIDENTIAL AND PROPRIETARY TO SILVER LINE WINDOWS AND MAY NOT BE DISCLOSED TO NON-EMPLOYEES OF THE COMPANY OR USED IN ANY WAY OR FOR ANY PURPOSE OUTSIDE OF THE COMPANY WITHOUT THE EXPRESS WRITTEN CONSENT OF SILVER LINE WINDOWS. UNAUTHORIZED USE, REPRODUCTION, DISCLOSURE OR RETENTION OF ANY INFORMATION CONTAINED HEREIN IS EXPRESSLY PROHIBITED

SIZE		Silver Line		1 SILVERLINE DRIVE NORTH BRUNSWICK, NJ 08902 732-435-1000	
A					
Released		Picture Window w/J-Channel			
DGN BY KD		DATE 8/22/2012		70 Series Picture Window w/J-Channel	
DWN BY KD		DATE 8/22/2012			
CHKD BY SM		DATE 8/24/2012		PROJECT NO	PART NO
APPR BY SM		DATE 8/24/2012		-	70NCPW1
REV		-			
FILE NAME					
P:\SilverLine\Product Design\70 Series\Design Data\SubComponents\70 Series Picture Window.dwg					
GROUP	SCALE	SHEET	DWG NO	LAST UPDATED	
RD&I	1:2.4	6 of 10	70 SERIES PICTURE WINDOW	8/28/2012 4:13 PM	

